

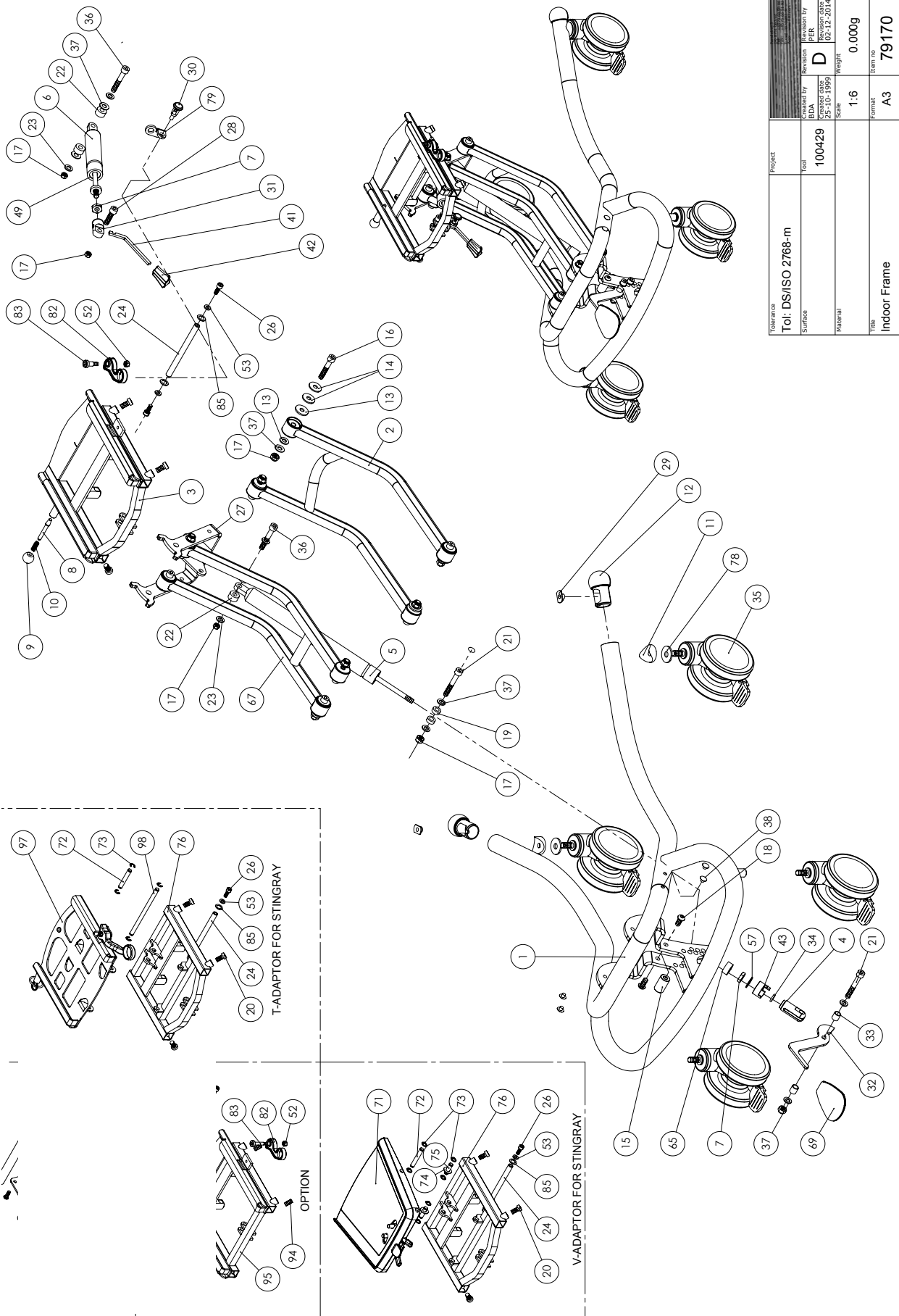
Hobas

Vues éclatées - Pièces détachées



Sommaire :

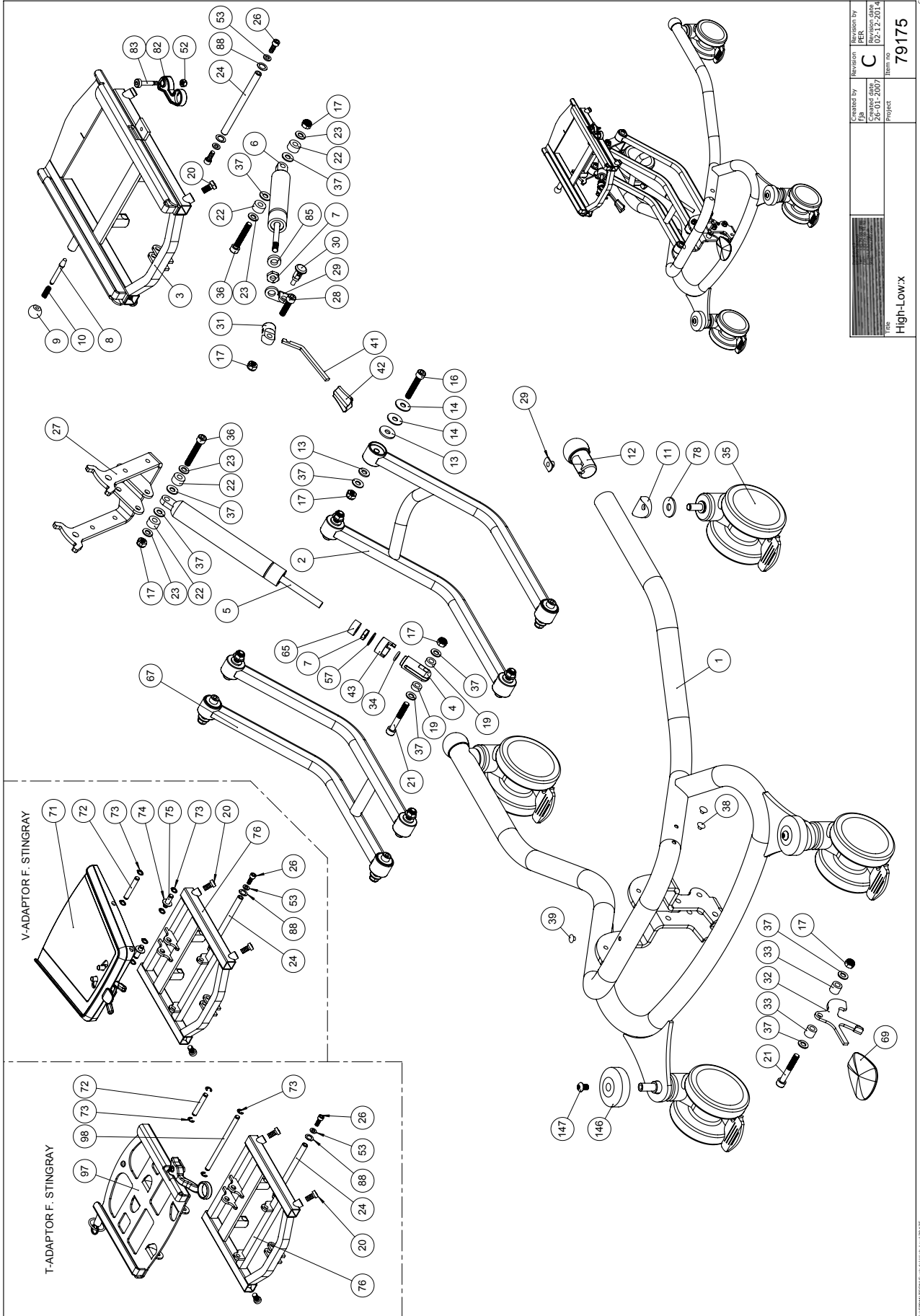
Hobas Taille 1, intérieur.....	3
Hobas Taille 2, intérieur.....	6
Hobas Taille 3, intérieur.....	12
Hobas Taille 1, extérieur.....	15
Hobas Taille 2, extérieur.....	18
Accessoires.....	22



Drawn by	Project	Reviewed by	Revision	Revision by
Surface	Tol: DS/ISO 2768-m	100429	D	PFA
Material		25-10-1999	02-12-2014	
		Scale	Weight	
		1:6	0.000g	
Title	Indoor Frame	Format	A3	Item no
				79170

Position	No.	Description	Quantity	Unit of Measure	Ean code
1	82820-60	FRAME, BLACK MOTHER-OF-PEARL	1	PCS	5707292459718
2	82903-60	CARRY ARM, WELDED, HIGH-LOW 2	1	PCS	5707292459404
3	75600-60	T-frame, x:panda 1+2	1	PCS	5707292459541
4	6118822	HORIZONTAL RELEASE	1	PCS	5707292186744
5	2206120	GASSPRING 1200N	1	PCS	5707292143419
6	2201500	BLOC-O-LIFT 9127MP 500 N	1	PCS	5707292143181
7	1761000	COUNTER NUT 10*1,0 FINE THREAD	1	PCS	5707292141538
8	6113000	SPINDLE, T-PART/FRAME	1	PCS	5707292186362
9	3502008	KNOB HANDLE Ø20 M6	1	PCS	5707292146830
10	0310100	PRESSURESPRING 0,9*8*23*10,5V	1	PCS	5707292135513
11	82894	Saddle washer	2	PCS	5707292387578
12	82829-50	BALL Ø40, BLUE	2	PCS	5707292231871
13	1310705	NYLON WASHER, WHITE,Ø25*8,4*2,5	16	PCS	5707292140791
14	1108000	WASHER 8MM	16	PCS	5707292140388
15	82808	ASSEMBLY BUSH	1	PCS	5707292125224
16	0603500	INSEX SCREW 8*45	8	PCS	5707292138231
17	1607000	LOCK NUT 8MM, LARGE PACK	13	PCS	5707292141378
18	0661500	BUTTON HEAD SCREW 8*16 STAINL.	2	PCS	5707292139559
19	1350000	DISTANCEPART BLACK 6*15*8,2 MM	2	PCS	5707292140876
20	0603540	Insex low head M8x16 stainless	1	PCS	5707292412485
21	0603600	INSEX SCREW 8*55	2	PCS	5707292138262
22	1350100	DISTANCE PART BLACK 8,2*18*10	4	PCS	5707292140937
23	1103200	FAZET WASHER 8MM	4	PCS	5707292140296
24	82806	AXLE	1	PCS	5707292125200
26	0602200	INSEX SCREW 6*16	2	PCS	5707292138095
27	76800-60	KIP BRACE, BLACK	1	PCS	5707292497116
28	0615010	INSEX M8*30 FZB, SHORTENED	1	PCS	5707292367990
29	1600525	STAINL. WELDING NUT W/FLANGE	2	PCS	5707292141149
30	0380184	SPEC. LOCKING HOUSE M10*1,28MM	1	PCS	5707292366030
31	6118820	HOUSE FOR GASSPRING, BLACK	1	PCS	5707292186720
32	82851	ARM FOR FOOT PEDAL	1	PCS	5707292125507
33	82859	BUSH FOR FOOT PEDAL	2	PCS	5707292125552
34	0108000	O-RINGS O13*2,5 QUALITY XP 70	1	PCS	5707292135124
35	3006937	100MM DOUBLE WHEEL WITH BRAKE	4	PCS	5707292548030
36	0603555	Insex M8*50, 12.9, zinkflage	2	PCS	5707292498892
37	1102000	PLANING WASHER 8MM	14	PCS	5707292140227
38	1310540	COVERING PUSHBUTTON, BLACK	4	PCS	5707292140692
40	2504000	FERRULE E15*1,0-2,0 INT.BLACK	2	PCS	5707292144102
41	2200013	ARM F. RELEASE, F.INDOOR FRAME	1	PCS	5707292142993
42	2200030	BUTTON FOR RELEASE ARM	1	PCS	5707292143051
43	82866	LOCK FOR RELEASE HEAD	1	PCS	5707292125606
49	1310712	NYLON WASHER, NATURE	1	PCS	5707292356345
52	1606500	LOCK NUT 6 MM	1	PCS	5707292141361
53	1106000	WASHER 6MM	2	PCS	5707292140371
57	1102500	PLANNING WASHER 10 MM	1	PCS	5707292140234
65	1310630	DISTANCE PIECE, Ø10,3*22*10MM	1	PCS	5707292140753
67	82888-60	CARRY ARM, HIGH-LOW,BLACK	1	PCS	5707292459695
69	3470335	RELEASE BUTTON 4*8MM	1	PCS	5707292146632
71	79367	V-frame, complete	1	PCS	5707292502797

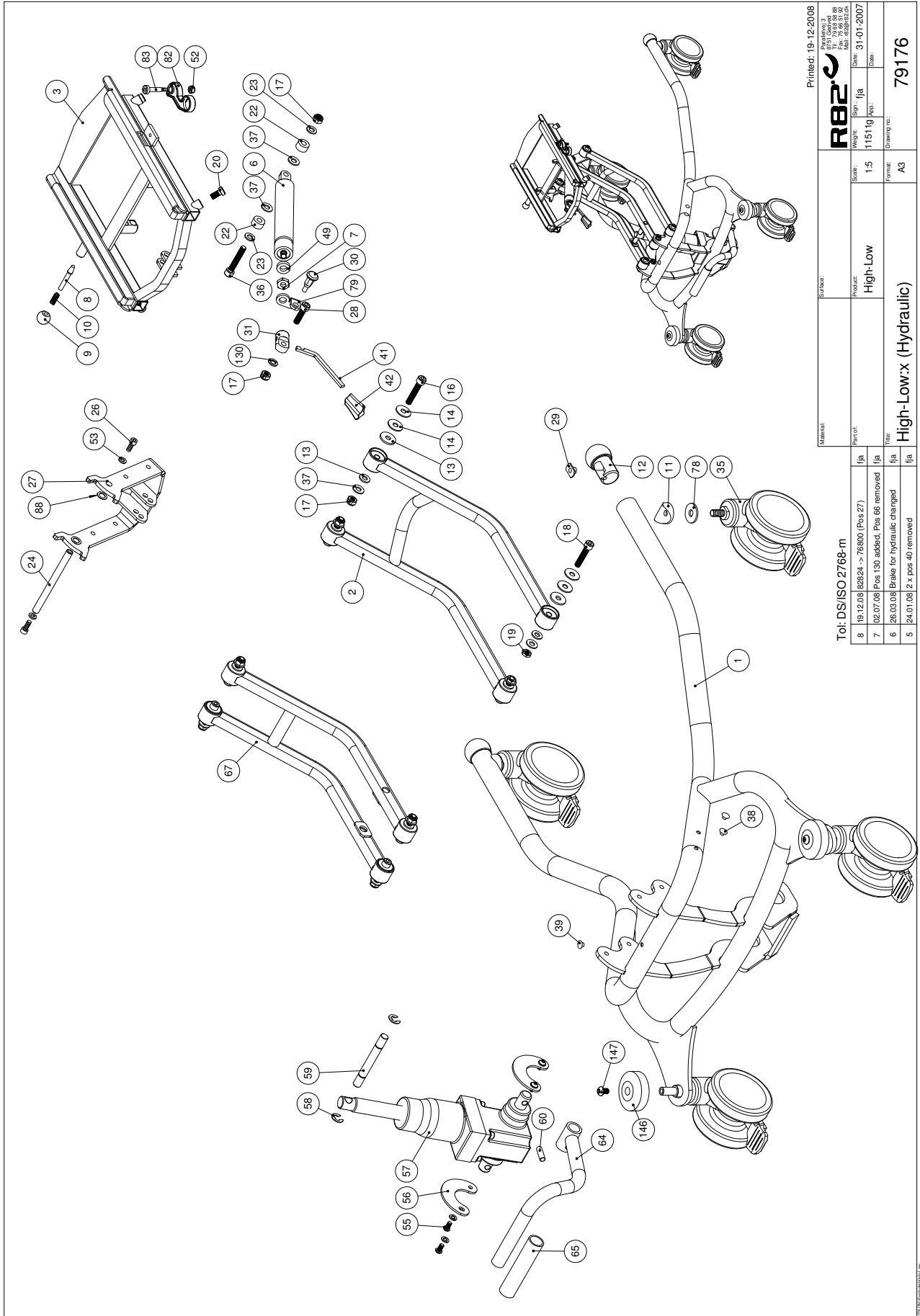
72	76043	Axle for springstopper	1	PCS	5707292481450
73	1145060	Locking washer, axle stainless	4	PCS	5707292375056
74	1310711	Nylon washer 15*8,4*1,5mm	1	PCS	5707292429933
75	76044	Axle for v-frame	1	PCS	5707292491503
76	76370-60	T-frame, Stingray on High/low	1	PCS	5707292546029
78	1108050	WASHER M10, DIN9021	2	PCS	5707292140401
79	82481	SAFETY MOUNTING FOR GASSPRING	1	PCS	5707292124500
82	82880	HANDLE FOR ADAPTOR	1	PCS	5707292361318
83	0683810	PASBOLT M/INDV.6KT. 8*12 (M6)	1	PCS	5707292361929
85	1310712	NYLON WASHER, NATURE	1	PCS	5707292356345
94	0603540	INSEX LOW HEAD M8x40 STAINLESS	4	PCS	5707292412485
95	75600-60	T-FRAME, X:PANDA 1+2	1	PCS	5707292459541
130	1101000	CENTER SPRING WASHER 8MM	1	PCS	5707292140173



Created by Jpb 26-03-2007	Revision C	Revision by PER 02-12-2014
File	Project	Item no
High-Low:X		79175

Position	No.	Description	Quantity	Unit of Measure	Ean code
1	75660-60	FRAME, HIGH-LOW 2	1	PCS	5707292466716
2	82903-60	CARRY ARM, WELDED, HIGH-LOW 2	1	PCS	5707292459404
3	75630-60	T-FRAME, BLACK	1	PCS	5707292457547
4	6118822	HORIZONTAL RELEASE	1	PCS	5707292186744
5	2205400	BLOC-O-LIFT 9235YS 1400 N	1	PCS	5707292460172
6	2201500	BLOC-O-LIFT 9127MP 500 N	1	PCS	5707292143181
7	1761000	COUNTER NUT 10*1,0 FINE THREAD	1	PCS	5707292141538
8	6113000	SPINDLE, T-PART/FRAME	1	PCS	5707292186362
9	3502008	KNOB HANDLE Ø20 M6	1	PCS	5707292146830
10	0310100	PRESSURESPRING 0,9*8*23*10,5V	1	PCS	5707292135513
11	82894	SADDLE WASHER	2	PCS	5707292387578
12	82829-50	BALL Ø40, BLUE	2	PCS	5707292231871
13	1310705	NYLON WASHER, WHITE, Ø25*8,4*2,5	16	PCS	5707292140791
14	1108000	WASHER 8MM	16	PCS	5707292140388
16	0603500	INSEX SCREW 8*45	8	PCS	5707292138231
17	1607000	LOCK NUT 8MM, LARGE PACK	15	PCS	5707292141378
19	1350000	DISTANCEPART BLACK 6*15*8,2 MM	2	PCS	5707292140876
20	0603540	INSEX LOW HEAD M8x40 STAINLESS	4	PCS	5707292412485
21	0603600	INSEX SCREW 8*55	2	PCS	5707292138262
22	1350100	DISTANCE PART BLACK 8,2*18*10	4	PCS	5707292140937
23	1103200	FAZET WASHER 8MM	6	PCS	5707292140296
24	0683803	PASBOLT M/INDV.6KT.10*25 (M8)	2	PCS	5707292460066
26	0602200	INSEX SCREW 6*16	2	PCS	5707292138095
27	76800-60	KIP BRACE, BLACK	1	PCS	5707292497116
28	0615010	INSEX M8*30 FZB, SHORTENED	1	PCS	5707292367990
29	1600525	STAINL. WELDING NUT W/FLANGE	2	PCS	5707292141149
30	0380184	SPEC. LOCKING HOUSE M10*1,28MM	1	PCS	5707292366030
31	6118820	HOUSE FOR GASSPRING, BLACK	1	PCS	5707292186720
32	82851	ARM FOR FOOT PEDAL	1	PCS	5707292125507
33	82859	BUSH FOR FOOT PEDAL	2	PCS	5707292125552
34	0108000	O-RINGS Ø13*2,5 QUALITY XP 70	1	PCS	5707292135124
35	3006930	100 MM GREY DOUBLE WHEEL	4	PCS	5707292145918
36	0603550	INSEX SCREW 8*50	2	PCS	5707292138255
37	1102000	PLANING WASHER 8MM	14	PCS	5707292140227
38	1310540	COVERING PUSHBUTTON, BLACK	4	PCS	5707292140692
39	1310528	COVERING STUD, BLACK 13MM	1	PCS	5707292470348
41	2200013	ARM F. RELEASE, F.INDOOR FRAME	1	PCS	5707292142993
42	2200030	BUTTON FOR RELEASE ARM	1	PCS	5707292143051
43	82866	LOCK FOR RELEASE HEAD	1	PCS	5707292125606
52	1606500	LOCK NUT 6 MM	1	PCS	5707292141361
53	1106000	WASHER 6MM	2	PCS	5707292140371
57	1102500	PLANNING WASHER 10 MM	1	PCS	5707292140234
65	1310630	DISTANCE PIECE, Ø10,3*22*10MM	1	PCS	5707292140753
67	82888-60	CARRY ARM, HIGH-LOW, BLACK	1	PCS	5707292459695
69	3470335	RELEASE BUTTON 4*8MM	1	PCS	5707292146632
71	79367	V-frame, complete	1	PCS	5707292502797
72	76043	Axle for springstopper	1	PCS	5707292481450
73	1145060	Locking washer, axle stainless	4	PCS	5707292375056
74	1310711	Nylon washer 15*8,4*1,5mm	1	PCS	5707292429933

75	76044	Axle for v-frame	1	PCS	5707292491503
76	76370-60	T-frame, Stingray on High/low	1	PCS	5707292546029
78	1108050	WASHER M10, DIN9021	2	PCS	5707292140401
82	82880	HANDLE FOR ADAPTOR	1	PCS	5707292361318
83	0683810	PASBOLT M/INDV.6KT. 8*12 (M6)	1	PCS	5707292361929
85	1310712	NYLON WASHER, NATURE	1	PCS	5707292356345
88	1310640	WASHER, NATURE Ø16*10*0,5MM	2	PCS	5707292140760
110	2500520	TPE cover ø20mm	2	PCS	5707292401649
111	75657	HAND BRACE FOR HIGH-LOW	1	PCS	5707292459633
130	1101000	CENTER SPRING WASHER 8MM	1	PCS	5707292140173
146	2522100	BLACK BUMPWHEEL FOR PONY 60MM	2	PCS	5707292144478
147	0661100	BUTTON HEAD SCREW 8*12	2	PCS	5707292139511



Printed: 19-12-2008

Material:		Parallelev 3	
Part no.:		R82	
Product:		High-Low	
Weight:		1151 kg	
Sign.:		jfa	
Date:		31-01-2007	
Form:		A3	
Drawing no.:		79176	

Total: DS/ISO 2768-m

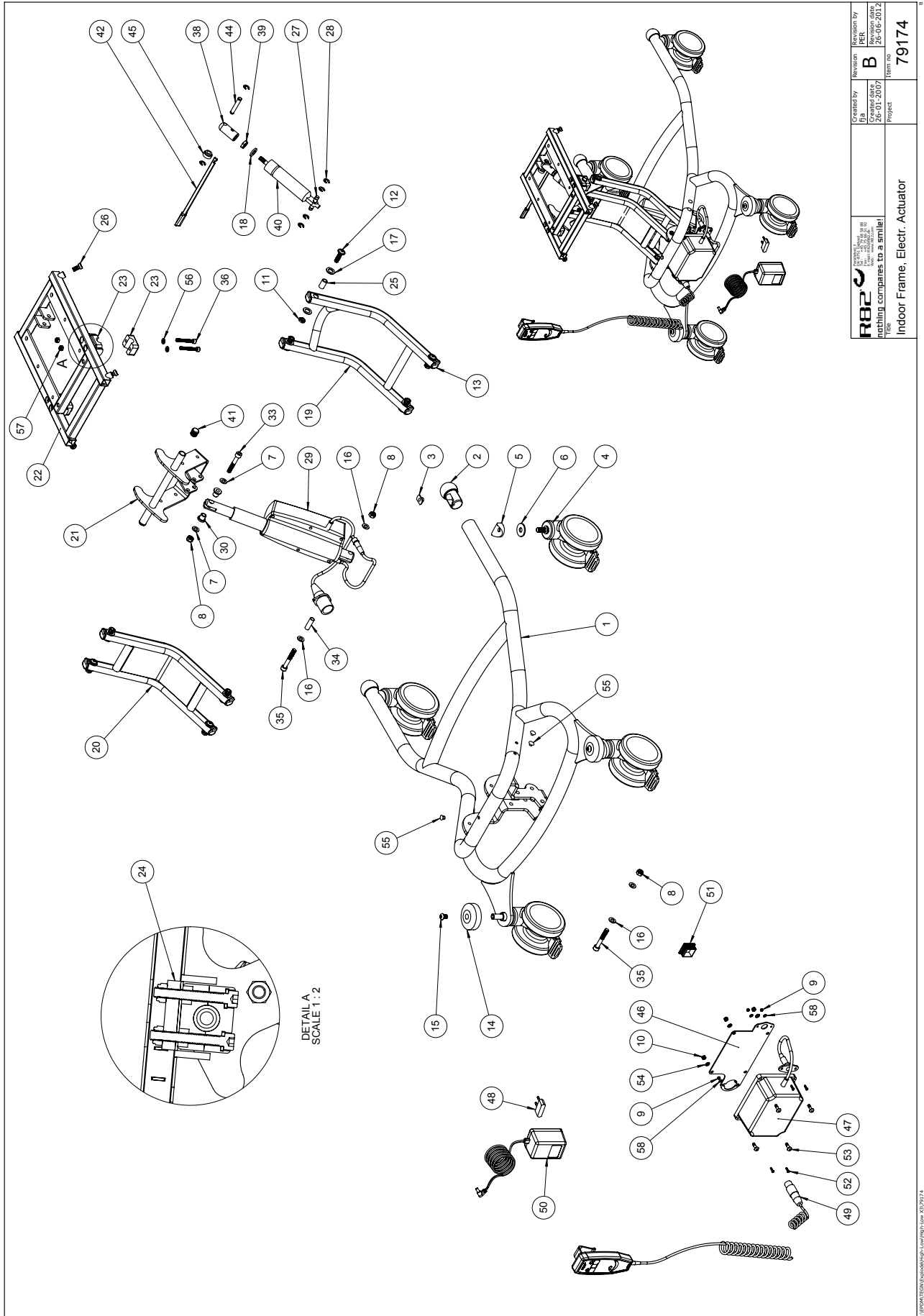
8	19.12.08	82824 -> 76800 (Pos 27)	jfa
7	02.07.08	Pos 130 added, Pos 66 removed	jfa
6	26.03.08	Brake for hydraulic changed	jfa
5	24.01.08	2 x pos 40 removed	jfa

Position	No.	Description	Quantity	Unit of Measure	Ean code
1	75612-60	HIGH/LOW 2 HYDRAULIC	1	PCS	5707292459381
2	82903-60	BÆREARM SVEJST HIGH/LOW 2	1	PCS	5707292459404
3	75630-60	T-RAMME,X-PANDA 3, MALET	1	PCS	5707292457547
6	2201500	BLOC-O-LIFT 9127MP 500 N	1	PCS	5707292143181
7	1761000	COUNTER NUT 10*1,0 FINE THREAD	1	PCS	5707292141538
8	6113000	SPINDLE, T-PART/FRAME	1	PCS	5707292186362
9	3502008	KNOB HANDLE Ø20 M6	1	PCS	5707292146830
10	0310100	PRESSURESPRING 0,9*8*23*10,5V	1	PCS	5707292135513
11	82894	Saddle washer	2	PCS	5707292387578
12	82829-50	BALL Ø40, BLUE	2	PCS	5707292231871
13	1310705	NYLON WASHER, WHITE, Ø25*8,4*2,5	16	PCS	5707292140791
14	1108000	WASHER 8MM	16	PCS	5707292140388
16	0603500	INSEX SCREW 8*45	8	PCS	5707292138231
17	1607000	LOCK NUT 8MM, LARGE PACK	12	PCS	5707292141378
18	0603200	INSEX SCREW 8*40	2	PCS	5707292138224
19	1750800	LOCK NUT, STAINLESS M8	2	PCS	5707292141484
20	0603540	INSEX LOW HEAD M8x40 STAINLESS	4	PCS	5707292412485
22	1350100	DISTANCE PART BLACK 8,2*18*10	2	PCS	5707292140937
23	1103200	FAZET WASHER 8MM	2	PCS	5707292140296
24	0683803	PASBOLT M/INDV.6KT.10*25 (M8)	2	PCS	5707292460066
26	0602200	INSEX SCREW 6*16	2	PCS	5707292138095
27	76800-60	TILT BRACE, BLACK	1	PCS	5707292497116
28	0615010	INSEX M8*30 FZB, SHORTENED	1	PCS	5707292367990
29	1600525	STAINL. WELDING NUT W/FLANGE	2	PCS	5707292141149
30	0380184	SPEC. LOCKING HOUSE M10*1,28MM	1	PCS	5707292366030
31	6118820	HOUSE FOR GASSPRING, BLACK	1	PCS	5707292186720
35	3006930	100 MM GREY DOUBLE WHEEL	4	PCS	5707292145918
36	0603550	INSEX SCREW 8*50	1	PCS	5707292138255
37	1102000	PLANING WASHER 8MM	10	PCS	5707292140227
38	1310540	COVERING PUSHBUTTON, BLACK	4	PCS	5707292140692
39	1310528	COVERING STUD, BLACK 13MM	1	PCS	5707292470348
41	2200013	ARM F. RELEASE, F.INDOOR FRAME	1	PCS	5707292142993
42	2200030	BUTTON FOR RELEASE ARM	1	PCS	5707292143051
49	1310712	NYLON WASHER, NATURE	1	PCS	5707292356345
52	1606500	LOCK NUT 6 MM	1	PCS	5707292141361
53	1106000	WASHER 6MM	2	PCS	5707292140371
55	0641200	BUTTON HEAD SCREW 6*12	4	PCS	5707292139252
56	75615	BUET BESLAG FOR HYDR.	2	PCS	5707292460202
57	2208000	COMPACT MK5 HYDRAULIC PUMP	1	PCS	5707292461148
58	1151000	LOCK WASHER FOR 10MM AXLE	2	PCS	5707292140616
59	75620	STIFT FOR LIFTARM	1	PCS	5707292460226
64	75668-60	ARM FOR HYDRAULIC, BLACK	1	PCS	5707292479631
65	2500516	GRIP 87.00 MM LENGTH	1	PCS	5707292356727
67	75616-60	BÆREARM HIGH/LOW, HYDRAULIK	1	PCS	5707292460158
78	1108050	WASHER M10, DIN9021	2	PCS	5707292140401
79	82481	SAFETY MOUNTING FOR GASSPRING	1	PCS	5707292124500
82	82880	HANDLE FOR ADAPTOR	1	PCS	5707292361318
83	0683810	PASBOLT M/INDV.6KT. 8*12 (M6)	1	PCS	5707292361929
88	1310640	WASHER, NATURE Ø16*10*0,5MM	4	PCS	5707292140760

Highlow : x _____



130	1101000	CENTER SPRING WASHER 8MM	1	PCS	5707292140173
146	2522100	BLACK BUMPWHEEL FOR PONY 60MM	2	PCS	5707292144478
147	0661100	BUTTON HEAD SCREW 8*12	2	PCS	5707292139511



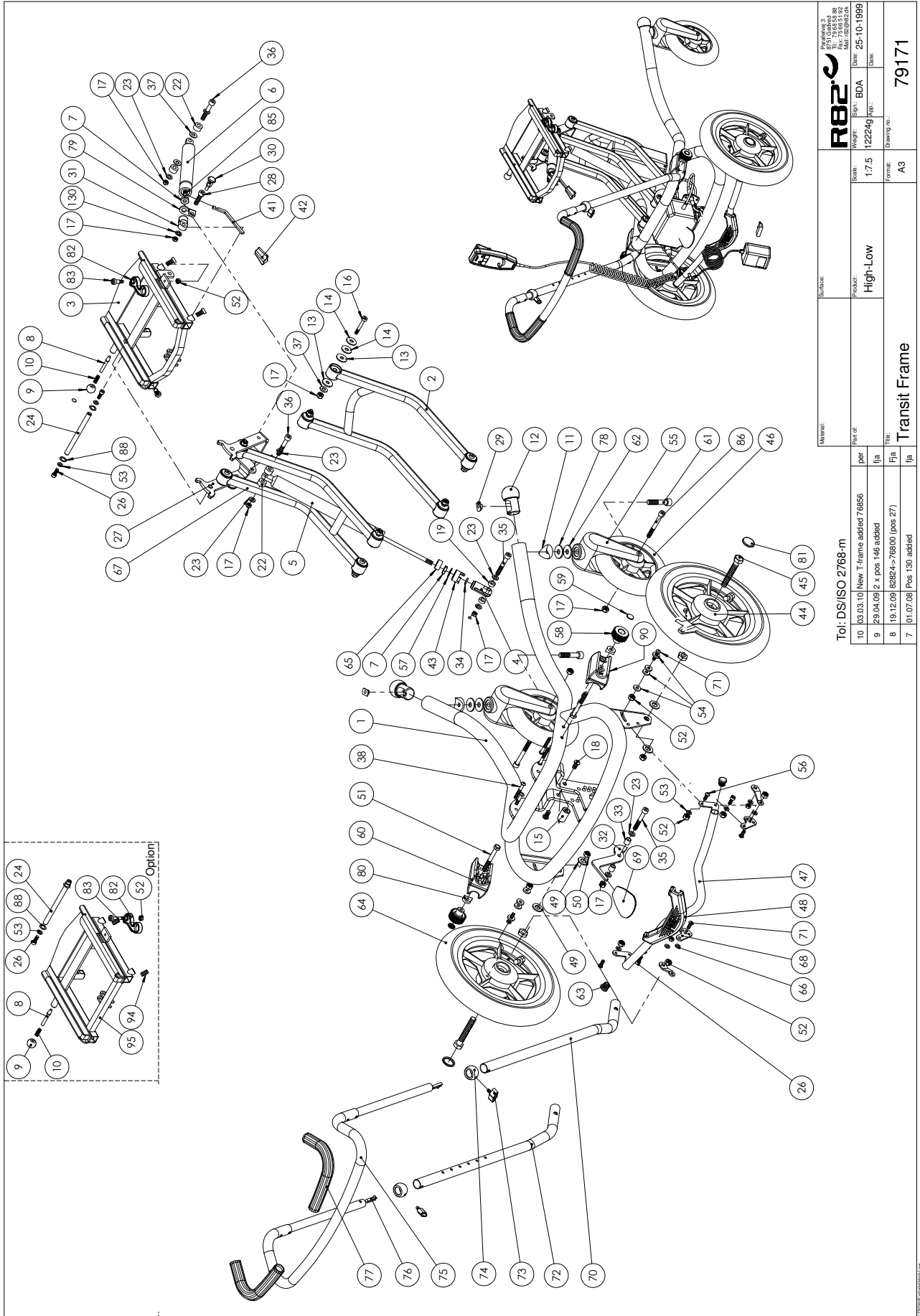
 nothing compares to a smile! Tel: +45 79 68 58 88	Created by JYBA	Revision by B	Revision date 26-01-2007
	Project Indoor Frame, Electr. Actuator	Item no 79174	

Position	No.	Description	Quantity	Unit of Measure	Ean code
1	75670-60	Frame High/Low X 3	PCS	1	5707292489715
2	82829-50	BALL Ø40, BLUE	PCS	2	5707292231871
3	1600525	STAINL. WELDING NUT W/FLANGE	PCS	2	5707292141149
4	3006930	100 MM GREY DOUBLE WHEEL	PCS	4	5707292145918
5	82894	Saddle washer	PCS	2	5707292387578
6	1108050	WASHER M10, DIN9021	PCS	2	5707292140401
7	1103200	FAZET WASHER 8MM	PCS	6	5707292140296
8	1607000	LOCK NUT 8MM, LARGE PACK	PCS	3	5707292141378
9	1606250	SELF-LOCKING NUT 3MM	PCS	4	5707292408396
10	1606300	LOCK NUT 5 MM	PCS	4	5707292141354
11	1750800	LOCK NUT, STAINLESS M8	PCS	8	5707292141484
12	0663031	BUTTON HEAD 8*30, WOMBAT	PCS	8	5707292139610
13	82946	END PIECE 15*30, WOMBAT	PCS	8	5707292126016
14	2522100	BLACK BUMPWHEEL FOR PONY 60MM	PCS	2	5707292144478
15	0661100	BUTTON HEAD SCREW 8*12	PCS	2	5707292139511
16	1310540	COVERING PUSHBUTTON, BLACK	PCS	4	5707292140692
17	1310710	NYLON WASHER	PCS	16	5707292140807
18	1310712	NYLON WASHER, NATURE	PCS	1	5707292356345
19	82790-60	Carryarm black mother of pearl	PCS	1	5707292434609
20	77564-60	Carryarm, highlow 2, painted	PCS	1	5707292489838
21	77562-60	Tipbracket, Seatunit	PCS	1	5707292489791
22	77572-60	SEAT FRAME HIGHLOW 2	PCS	1	5707292490827
23	2521840	PIPE HOLDER F/16MMSQUARE, BLACK	PCS	4	5707292399236
24	77571	Fastening bracket	PCS	2	5707292489982
25	82933	BEARING BUSHING, WOMBAT	PCS	8	5707292125880
26	0603540	INSEX LOW HEAD M8x16 STAINLESS	PCS	4	5707292412485
27	80924	Ø8*40 SPEC LOCKING PIN, WOMBAT	PCS	1	5707292111401
28	1145070	LOCK WASHER 7MM	PCS	6	5707292140586
29	2222137	ACTUATOR LA28	PCS	1	5707292498281
30	82848	BUSH	PCS	2	5707292125484
33	0603550	INSEX SCREW 8*50	PCS	1	5707292138255
34	6108200	PVC PIPE PA11 Ø10/Ø8 MM	METER	0,03	5707292185655
35	0603600	INSEX SCREW 8*55	PCS	3	5707292138262
36	0602445	INSEX M6*45 FZB	PCS	4	5707292138156
38	6118821	HORIZONTAL RELEASE, WOMBAT	PCS	1	5707292186737
39	1761000	COUNTER NUT 10*1,0 FINE THREAD	PCS	1	5707292141538
40	2201500	BLOC-O-LIFT 9127MP 500 N	PCS	1	5707292143181
41	2501600	FERRULE D15*1,0 BLACK	PCS	2	5707292143969
42	2200021	ARM FOR HEIGHTADJUSTMENT	PCS	1	5707292143044
44	80921	LOCKING PIN, WOMBAT	PCS	1	5707292111371
45	77574	Sleeve f. Strike	PCS	1	5707292490773
46	77576	Battery console HighLow	PCS	1	5707292490759
47	2222110	BATTERYBOKS BA18027	PCS	1	5707292492258
48	2222165	PLUG F/DK	PCS	1	5707292492388
49	2220600	HANDSET W/R82 PRINT & CHARGING	PCS	1	5707292492241
50	2222160	CHARGER WO/PLUG	PCS	1	5707292492296
51	2505000	FERRULE E30*301,0-2,0 INT.BLAC	PCS	1	5707292144140
52	1902590	CROSSHEAD SCREW M3*10, FZB	PCS	4	5707292408389
53	1902760	CROSS-HEADED SCREW 5*16 MM	PCS	4	5707292142146

Highlow : x _____



54	1102900	FAZET WASHER 5 MM	PCS	4	5707292140272
55	1310528	COVERING STUD, BLACK 13MM	PCS	1	5707292470348
56	1103000	FAZET WASHER 6MM	PCS	4	5707292140289
57	1606500	LOCK NUT 6 MM	PCS	4	5707292141361
58	1102800	FAZET WASHER 4MM	PCS	4	5707292140265



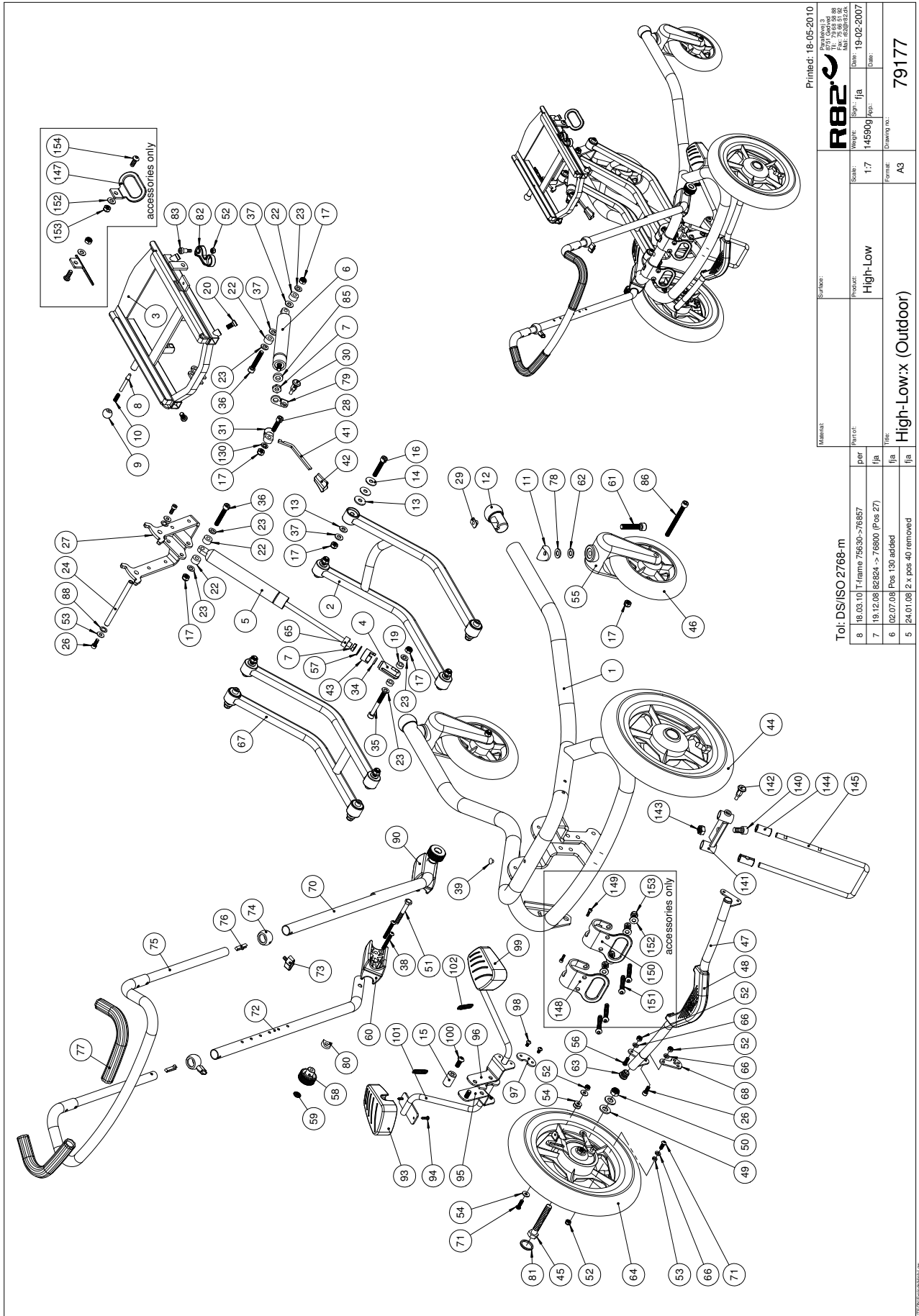
Model: High-Low Product: High-Low		Scale: 1:7.5 Weight: 12224g		Part no.: 79171 Date: 25-10-1999	
Form: A3		Drawing no.: 79171		Title: Transit Frame	

Toi: DS/ISO 2768-m

10	10.03.10	New T-frame added 76856	per
9	29.04.09	2 x pos 146 added	ija
8	19.12.08	82824->76800 (pos 27)	Fib
7	01.07.08	Pos 130 added	ija

Position	No.	Description	Quantity	Unit of Measure	Ean code
1	82656-60	TRANSITSTEL, SORT PERLEMOR	1	PCS	5707292460295
2	82903-60	CARRY ARM, WELDED, HIGH-LOW 2	1	PCS	5707292459404
3	76855-60	T-frame, transport, painted	1	PCS	5707292528162
4	6118822	HORIZONTAL RELEASE	1	PCS	5707292186744
5	2206120	GASSPRING 1200N	1	PCS	5707292143419
6	2201500	BLOC-O-LIFT 9127MP 500 N	1	PCS	5707292143181
7	1761000	COUNTER NUT 10*1,0 FINE THREAD	1	PCS	5707292141538
8	6113000	SPINDLE, T-PART/FRAME	1	PCS	5707292186362
9	3502008	KNOB HANDLE Ø20 M6	1	PCS	5707292146830
10	0310100	PRESSURESPRING 0,9*8*23*10,5V	1	PCS	5707292135513
11	82894	Saddle washer	2	PCS	5707292387578
12	82829-50	BALL Ø40, BLUE	2	PCS	5707292231871
13	1310705	NYLON WASHER, WHITE, Ø25*8,4*2,5	16	PCS	5707292140791
14	1108000	WASHER 8MM	16	PCS	5707292140388
15	82808	SAMLEBØSNING	1	PCS	5707292125224
16	0603500	INSEX SCREW 8*45	8	PCS	5707292138231
17	1607000	LOCK NUT 8MM, LARGE PACK	15	PCS	5707292141378
18	0661500	BUTTON HEAD SCREW 8*16 STAINL.	2	PCS	5707292139559
19	1350000	DISTANCEPART BLACK 6*15*8,2 MM	2	PCS	5707292140876
22	1350100	DISTANCE PART BLACK 8,2*18*10	4	PCS	5707292140937
23	1103200	FAZET WASHER 8MM	8	PCS	5707292140296
24	82806	AXLE	1	PCS	5707292125200
26	0602200	INSEX SCREW 6*16	2	PCS	5707292138095
27	76800	Tip brace, High-Low	1	PCS	5707292497031
28	0615010	INSEX M8*30 FZB, SHORTENED	1	PCS	5707292367990
29	1600525	STAINL. WELDING NUT W/FLANGE	2	PCS	5707292141149
30	0380184	SPEC. LOCKING HOUSE M10*1,28MM	1	PCS	5707292366030
31	6118820	HOUSE FOR GASSPRING, BLACK	1	PCS	5707292186720
32	82851	ARM FOR FOOT PEDAL	1	PCS	5707292125507
33	82859	BUSH FOR FOOT PEDAL	2	PCS	5707292125552
34	0108000	O-RINGS Ø13*2,5 QUALITY XP 70	1	PCS	5707292135124
35	0603600	INSEX SCREW 8*55	2	PCS	5707292138262
36	0603550	INSEX SCREW 8*50	2	PCS	5707292138255
37	1102000	PLANING WASHER 8MM	10	PCS	5707292140227
38	0645645	BUTTON HEAD M6*45 ZN/BLACK	4	PCS	5707292139351
41	2200013	ARM F. RELEASE, F.INDOOR FRAME	1	PCS	5707292142993
42	2200030	BUTTON FOR RELEASE ARM	1	PCS	5707292143051
43	82866	LOCK FOR RELEASE HEAD	1	PCS	5707292125606
44	3003510	12½*2 1/4" BR/HØJ, HIGH-LOW	1	PCS	5707292397492
45	1902380	STEEL SET SCREW 12*80MM	2	PCS	5707292142030
46	3007910	180*45 BLACK/PNEUM. WHEEL	2	PCS	5707292146045
47	82840	Brake brace	1	PCS	5707292125415
48	82830	BRAKE PEDAL, INDOOR FRAME	1	PCS	5707292125347
49	1101600	CENTER SPRING WASHER 12MM	4	PCS	5707292140197
50	1604500	STEEL NUT 12MM, LARGE PACK	2	PCS	5707292141309
51	1902320	STEEL SET SCREW 8*70MM	2	PCS	5707292142023
52	1606500	LOCK NUT 6 MM	1	PCS	5707292141361
53	1106000	WASHER 6MM	2	PCS	5707292140371
54	1125618	SCREENWASHER FZ6*18*3MM	8	PCS	5707292140494

55	2965155	FRONTFORK 200MM, BLACK	2	PCS	5707292144935
56	0641620	BUTTON HEAD SCREW 6*20	4	PCS	5707292139276
57	1102500	PLANNING WASHER 10 MM	1	PCS	5707292140234
58	3470400	HAND GRIP WITHOUT COVER	2	PCS	5707292146663
59	1109500	STARLOCK WASHER WITH CAPE 6	2	PCS	5707292140449
60	82828	HAND BRACE HOLDER, HIGH-LOW	1	PCS	5707292125330
61	0606000	INSEX SCREW 10*50	2	PCS	5707292138408
62	1103400	FAZET WASHER 10 MM	2	PCS	5707292140319
63	2502002	FERRULE D18*0,8-2,5 BLACK	2	PCS	5707292433947
64	3004010	12½*2 1/4" BR/VEN, HIGH-LOW	1	PCS	5707292397508
65	1310630	DISTANCE PIECE, Ø10,3*22*10MM	1	PCS	5707292140753
66	1310628	DISTANCE PCS,6,4*10*2,8MM	2	PCS	5707292140746
67	82888-60	CARRY ARM, HIGH-LOW,BLACK	1	PCS	5707292459695
68	82838	LINKARM	2	PCS	5707292125392
69	3470335	RELEASE BUTTON 4*8MM	1	PCS	5707292146632
70	82856-60	ROD FOR HANDBRACE, RIGHT	1	PCS	5707292459862
71	0641625	BUTTON HEAD SCREW 6*25 MM	2	PCS	5707292139283
72	82855-60	ROD FOR HANDBRACE, LEFT	1	PCS	5707292459831
73	3652501	R82 HANDLE M6*16MM SCREW	2	PCS	5707292413963
74	71137	BUSH BALL FOR HANDBRACE	2	PCS	5707292361813
75	82858-60	HANDLE	1	PCS	5707292459879
76	6153500	KNOB SPRING 0,5*6,5 MM.	2	PCS	5707292188571
77	2500560	GRIP F/ø22 HANDBRACE 800MM	1	PCS	5707292388537
78	1108050	WASHER M10, DIN9021	2	PCS	5707292140401
79	82481	SAFETY MOUNTING FOR GASSPRING	1	PCS	5707292124500
80	1357500	DISTANCE PCS 20*8,4*4MM	2	PCS	5707292141026
81	2704300	BLACK HUB CAP FOR ROLKO WHEEL	2	PCS	5707292144515
82	82880	HANDLE FOR ADAPTOR	1	PCS	5707292361318
83	0683810	PASBOLT M/INDV.6KT. 8*12 (M6)	1	PCS	5707292361929
85	1310712	NYLON WASHER, NATURE	1	PCS	5707292356345
86	0603700	INNSEX SCREW 8*70	2	PCS	5707292138293
88	1310640	WASHER, NATURE Ø16*10*0,5MM	4	PCS	5707292140760
90	82899	HAND BRACE HOLDER, LEFT	1	PCS	5707292401397
94	0603540	INSEX LOW HEAD M8x40 STAINLESS	2	PCS	5707292412485
95	75600-60	T-FRAME, X:PANDA 1+2	1	PCS	5707292459541
130	1101000	CENTER SPRING WASHER 8MM	1	PCS	5707292140173



Printed: 18-05-2010

Material		Surface	
Tol: DS/ISO 2768-m		Product: High-Low	
8	18.03.10	Frame 75630->76857	per fja
7	19.12.08	22824 -> 76800 (Pos. 27)	fja
6	02.07.08	Pos. 130 added	fja
5	24.01.08	2 x pos. 40 removed	fja
Weight: 14590g		Sign: fja	
Date: 19-02-2007		Draw: 79177	
Format: A3		Drawing no.: 79177	
Title: High-Low:x (Outdoor)			

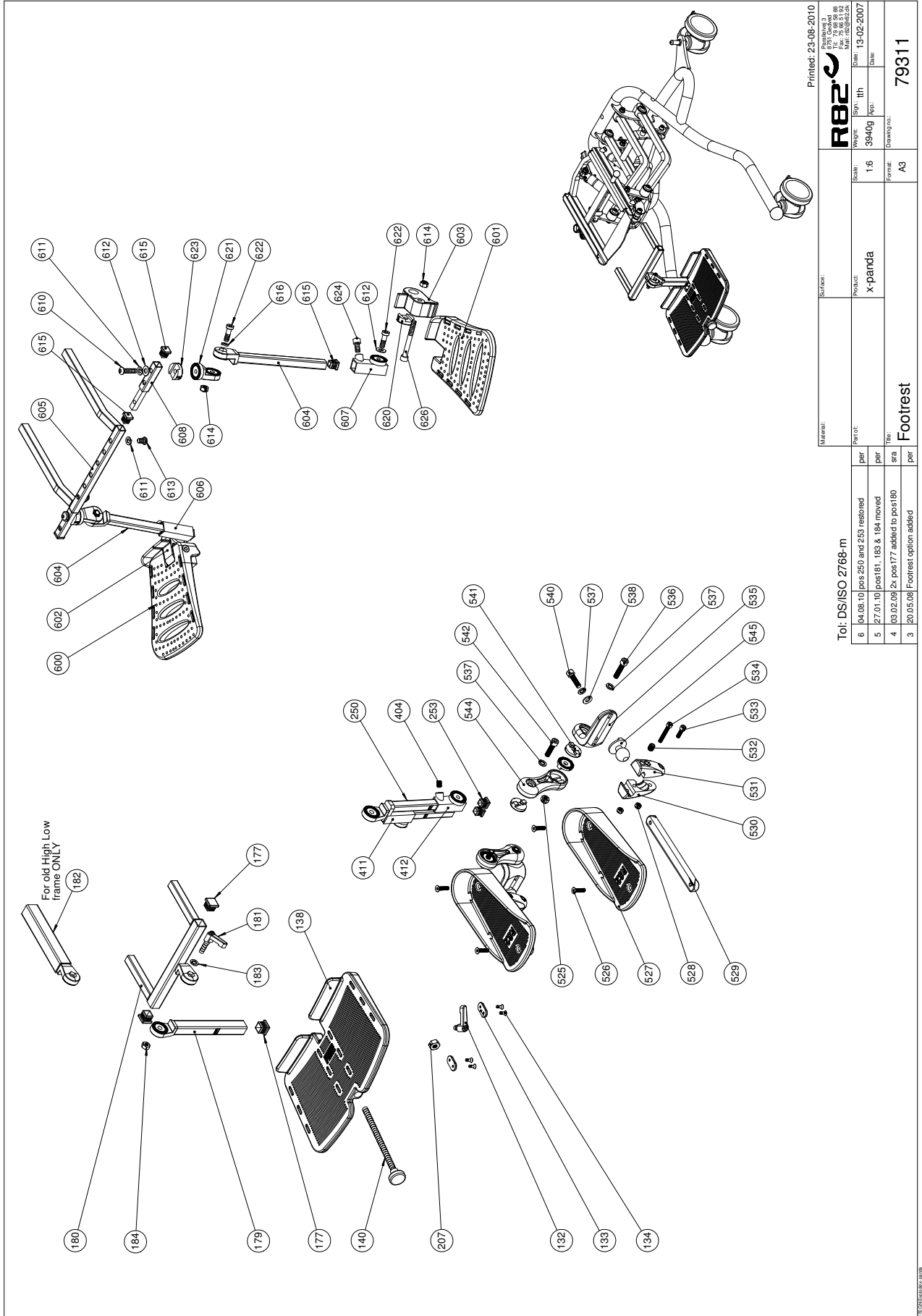
Position	No.	Description	Quantity	Unit of Measure	Ean code
1	75640-60	HIGH-LOW 2 OUTDOOR FRAME	1	PCS	5707292460011
2	82903-60	CARRY ARM, WELDED, HIGH-LOW 2	1	PCS	5707292459404
3	75630-60	T-FRAME, BLACK	1	PCS	5707292457547
4	6118822	HORIZONTAL RELEASE	1	PCS	5707292186744
5	2205400	BLOC-O-LIFT 9235YS 1400 N	1	PCS	5707292460172
6	2201500	BLOC-O-LIFT 9127MP 500 N	1	PCS	5707292143181
7	1761000	COUNTER NUT 10*1,0 FINE THREAD	1	PCS	5707292141538
8	6113000	SPINDLE, T-PART/FRAME	1	PCS	5707292186362
9	3502008	KNOB HANDLE Ø20 M6	1	PCS	5707292146830
10	0310100	PRESSURESPRING 0,9*8*23*10,5V	1	PCS	5707292135513
11	82894	SADDLE WASHER	2	PCS	5707292387578
12	82829-50	BALL Ø40, BLUE	2	PCS	5707292231871
13	1310705	NYLON WASHER, WHITE, Ø25*8,4*2,5	16	PCS	5707292140791
14	1108000	WASHER 8MM	16	PCS	5707292140388
15	82808	ASSEMBLY BUSH	1	PCS	5707292125224
16	0603500	INSEX SCREW 8*45	8	PCS	5707292138231
17	1607000	LOCK NUT 8MM, LARGE PACK	13	PCS	5707292141378
19	1350000	DISTANCEPART BLACK 6*15*8,2 MM	2	PCS	5707292140876
20	0603540	INSEX LOW HEAD M8x40 STAINLESS	4	PCS	5707292412485
22	1350100	DISTANCE PART BLACK 8,2*18*10	4	PCS	5707292140937
23	1103200	FAZET WASHER 8MM	6	PCS	5707292140296
24	0683803	PASBOLT M/INDV.6KT.10*25 (M8)	2	PCS	5707292460066
26	0602200	INSEX SCREW 6*16	2	PCS	5707292138095
27	76800-60	KIP BRACE, BLACK	1	PCS	5707292497116
28	0615010	INSEX M8*30 FZB, SHORTENED	1	PCS	5707292367990
29	1600525	STAINL. WELDING NUT W/FLANGE	2	PCS	5707292141149
30	0380184	SPEC. LOCKING HOUSE M10*1,28MM	1	PCS	5707292366030
31	6118820	HOUSE FOR GASSPRING, BLACK	1	PCS	5707292186720
34	0108000	O-RINGS O13*2,5 QUALITY XP 70	1	PCS	5707292135124
35	0603600	INSEX SCREW 8*55	1	PCS	5707292138262
36	0603550	INSEX SCREW 8*50	2	PCS	5707292138255
37	1102000	PLANING WASHER 8MM	8	PCS	5707292140227
38	0645645	BUTTON HEAD M6*45 ZN/BLACK	4	PCS	5707292139351
39	1310528	COVERING STUD, BLACK 13MM	1	PCS	5707292470348
41	2200013	ARM F. RELEASE, F.INDOOR FRAME	1	PCS	5707292142993
42	2200030	BUTTON FOR RELEASE ARM	1	PCS	5707292143051
43	82866	LOCK FOR RELEASE HEAD	1	PCS	5707292125606
44	3003510	12½*2 1/4" BR/HØJ, HIGH-LOW	1	PCS	5707292397492
45	1902380	STEEL SET SCREW 12*80MM	2	PCS	5707292142030
46	3007910	180*45 BLACK/PNEUM. WHEEL	2	PCS	5707292146045
47	82840	BRAKE BRACE	1	PCS	5707292125415
48	82830	BRAKE PEDAL, INDOOR FRAME	1	PCS	5707292125347
49	1101600	CENTER SPRING WASHER 12MM	4	PCS	5707292140197
50	1604500	STEEL NUT 12MM, LARGE PACK	2	PCS	5707292141309
51	1902320	STEEL SET SCREW 8*70MM	2	PCS	5707292142023
52	1606500	LOCK NUT 6 MM	1	PCS	5707292141361
53	1106000	WASHER 6MM	2	PCS	5707292140371
54	1125618	SCREENWASHER FZ6*18*3MM	8	PCS	5707292140494
55	2965155	FRONTFORK 200MM, BLACK	2	PCS	5707292144935

56	0641620	BUTTON HEAD SCREW 6*20	2	PCS	5707292139276
57	1102500	PLANNING WASHER 10 MM	1	PCS	5707292140234
58	3470400	HAND GRIP WITHOUT COVER	2	PCS	5707292146663
59	1109500	STARLOCK WASHER WITH CAPE 6	2	PCS	5707292140449
60	82828	HAND BRACE HOLDER, HIGH-LOW	1	PCS	5707292125330
61	0606000	INSEX SCREW 10*50	2	PCS	5707292138408
62	1103400	FAZET WASHER 10 MM	2	PCS	5707292140319
63	2502002	FERRULE D18*0,8-2,5 BLACK	2	PCS	5707292433947
64	3004010	12½*2 1/4" BR/VEN, HIGH-LOW	1	PCS	5707292397508
65	1310630	DISTANCE PIECE, Ø10,3*22*10MM	1	PCS	5707292140753
66	1310628	DISTANCE PCS,6,4*10*2,8MM	2	PCS	5707292140746
67	82888-60	CARRY ARM, HIGH-LOW,BLACK	1	PCS	5707292459695
68	82838	LINKARM	2	PCS	5707292125392
70	82856-60	ROD FOR HANDBRACE, RIGHT	1	PCS	5707292459862
71	0641625	BUTTON HEAD SCREW 6*25 MM	2	PCS	5707292139283
72	82855-60	ROD FOR HANDBRACE, LEFT	1	PCS	5707292459831
73	3652501	R82 HANDLE M6*16MM SCREW	2	PCS	5707292413963
74	71137	BUSH BALL FOR HANDBRACE	2	PCS	5707292361813
75	82858-60	HANDLE	1	PCS	5707292459879
76	6153500	KNOB SPRING 0,5*6,5 MM.	2	PCS	5707292188571
77	2500560	GRIP F/Ø22 HANDBRACE 800MM	1	PCS	5707292388537
78	1108050	WASHER M10, DIN9021	2	PCS	5707292140401
79	82481	SAFETY MOUNTING FOR GASSPRING	1	PCS	5707292124500
80	1357500	DISTANCE PCS 20*8,4*4MM	2	PCS	5707292141026
81	2704300	BLACK HUB CAP FOR ROLKO WHEEL	2	PCS	5707292144515
82	82880	HANDLE FOR ADAPTOR	1	PCS	5707292361318
83	0683810	PASBOLT M/INDV.6KT. 8*12 (M6)	1	PCS	5707292361929
85	1310640	WASHER, NATURE Ø16*10*0,5MM	2	PCS	5707292140760
86	0603700	INNSEX SCREW 8*70	2	PCS	5707292138293
88	1310640	WASHER, NATURE Ø16*10*0,5MM	2	PCS	5707292140760
90	82899	HAND BRACE HOLDER, LEFT	1	PCS	5707292401397
93	75625	LEFT PEDAL F. HIGH/LOW FRAME	1	PCS	5707292459046
94	1940005	ECO SYN 3,5*14	1	PCS	5707292142566
95	75635	LEFT HOLDER F. RELEASE ARM	1	PCS	5707292459060
96	75636	RIGHT HOLDER F. RELEASE ARM	1	PCS	5707292459077
97	75637	HOLDER UNDERPART,F. UDLØSERARM	2	PCS	5707292459978
98	0640911	BUTTON HEAD M5*10 FZB TUFLOK	4	PCS	5707292428479
99	75626	RIGHT PEDAL HIGH/LOW FRAME	1	PCS	5707292459053
100	0662000	BUTTON HEAD SCREW 8*20 STAINL.	2	PCS	5707292139573
101	75645	RELEASE ARM F. HIGHT/LOW	1	PCS	5707292459084
102	0310225	TENSION SPRING	2	PCS	5707292472397
130	1101000	CENTER SPRING WASHER 8MM	1	PCS	5707292140173
140	0604000	INSEX SCREW 10*20	1	PCS	5707292138361
141	82488	STEER FOR ANTI TIP DEVICE	1	PCS	5707292357847
142	0380182	LOCKING HOUSE, COMPLETE M10*1	1	PCS	5707292357953
143	1607500	LOCK NUT 10 MM	1	PCS	5707292141385
144	82375	PVC-BUSHING FOR PELOT	2	PCS	5707292123763
145	82484	BRACE FOR ANTI TIP DEVICE	1	PCS	5707292357892
147	76853	Transport fitting	2	PCS	5707292526656
148	76858	Transport fitting left	1	PCS	5707292526694

Highlow : x _____



149	0609721	Insex 4*20 FZB	2	PCS	5707292439222
150	76859	Transport fitting right	1	PCS	5707292526700
151	0663050	Button head M8*50, stainless	2	PCS	5707292400697
152	1105080	Stainless washer 8mm	2	PCS	5707292140364
153	1631080	Stainless lock nut 8mm	4	PCS	5707292141453
154	0662000	Button head screw 8*20 stainl.	2	PCS	5707292139573



Printed: 23-08-2010

Material:		Revision:	
Part of:		Product:	
Scale:		1:6	
Part No.:		39409	
Date:		13-02-2007	
Drawing No.:		A3	
Footrest		79311	

Tot: DS/ISO 2768-m

6	04.08.10	pos:250 and 253 restored	per
5	27.01.10	pos:181, 183 & 184 moved	per
4	03.02.09	2x pos:177 added to pos:180	ser
3	20.05.08	Footrest option added	per

Position	No.	Description	Quantity	Unit of Measure	Ean code
132	3502516	TIGHTENING HANDLE 45MM M8*16	1	PCS	5707292146915
133	82950	HOLLOW PLATE 16*32, WOMBAT	2	PCS	5707292126030
134	1940017	SHEET METAL SCREW UHX4,2*13FZB	4	PCS	5707292142597
138*	82944	FOOTPLATE SIZE 1, WOMBAT	1	PCS	5707292125996
	82940	FODPLADE STR.2, WOMBAT	1	PCS	5707292125958
140*	3502780	HANDLE 28MM,M10*160MM THREAD	1	PCS	5707292363145
	3502790	HAND GRIP 28MM, M10*196MM	1	PCS	5707292363152
177	2504500	FERRULE E20*1,0-2,0 INT.BLACK	5	PCS	5707292144126
179*	75260	Rod size 0 for footrest	1	PCS	5707292458346
	75262	Rod size 2 for footrest	1	PCS	5707292458353
	75263	Rod size 3 for footrest	1	PCS	5707292458360
180*	75270	HOLDER SIZE 1 FOR FOOTREST	1	PCS	5707292455598
	75272	HOLDER SIZE 2 FOR FOOTREST	1	PCS	5707292458384
181	3504025	TIGHTENING HANDLE 45MM M8*25	1	PCS	5707292147103
182*	75266	HOLDER SIZE 1 FOR FOOTREST	1	PCS	5707292455611
	75267	HOLDER SIZE 2 FOR FOOTREST	1	PCS	5707292455604
183	1101000	CENTER SPRING WASHER 8MM	1	PCS	5707292140173
184	1603500	STEEL NUT 8MM, LARGE PACK	1	PCS	5707292141286
207	1607500	Lock nut 10 mm	1	PCS	5707292141385
250*	75285	Rod dobblet size 0	1	PCS	5707292458445
	75287	HOLDER SIZE 2,DOUBBLE FOOTREST	1	PCS	5707292458469
	75288	HOLDER SIZE 3,DOUBBLE FOOTREST	1	PCS	5707292458476
253	2504000	FERRULE E15*1,0-2,0 INT.BLACK	2	PCS	5707292144102
404	0701000	STOP SCREW WITH CRATER 8*10	4	PCS	5707292139870
411	73734	MOUNTING FOR FOOTREST,RIGHT	1	PCS	5707292433466
412	73735	MOUNTING FOR FOOTREST,LEFT	1	PCS	5707292433473
525	1607000	LOCK NUT 8MM, LARGE PACK	2	PCS	5707292141378
526	0612500	INSEX SCREW COUNTERS. 6*25	4	PCS	5707292138712
527*	82156-60	FOOTPLATE SIZE 1,BLACK,GAZELLE	2	PCS	5707292230492
	82154-60	FOOTPLATE SIZE 2,BLACK,GAZELLE	2	PCS	5707292230478
	82158-60	FOOTPLATE SIZE 3 BLACK,GAZELLE	2	PCS	5707292230508
528	1606500	LOCK NUT 6 MM	4	PCS	5707292141361
529*	73648	STICK SIZE 1, FOOTREST	2	PCS	5707292445797
	73649	STICK SIZE 2, FOOTREST	2	PCS	5707292445803
530	72724	BALL JOINING RIGHT	2	PCS	5707292421845
531	72723	BALL JOINING LEFT	2	PCS	5707292421814
532	0701010	SET SCREW M10*10 W/FLAT END	2	PCS	5707292434098
533	0602300	INSEX SCREW 6*20	2	PCS	5707292138101
534	0602440	INSEX M6*40 FZB	2	PCS	5707292138149
535	72713	BRACKED	2	PCS	5707292420763
536	0603000	INSEX SCREW 8*35	2	PCS	5707292138217
537	1101000	CENTER SPRING WASHER 8MM	6	PCS	5707292140173
538	1102010	FACE PLATE 8,4*18*2MM, FZB	2	PCS	5707292429766
540	0602700	INSEX SCREW 8*25	2	PCS	5707292138187
541	74062	TOOTHED DISK 30*14	6	PCS	5707292377951
542	0602850	INSEX M8*22, FZB	2	PCS	5707292435408
544	72712	KNEE JOINT	2	PCS	5707292420756
545	72721	BALLHEAD	2	PCS	5707292428875
600	74053	Foot plate 1, left	1	PCS	5707292373755

601	74052	Foot plate 1, right	1	PCS	5707292373748
602	74045	Mounting for foot plate, left	1	PCS	5707292373694
603	74044	Mounting for foot plate, right	1	PCS	5707292373694
604*	75317	Rod for footrest size 0, 21 cm	2	PCS	5707292477774
	75319	Rod for footrest size 2, 34 cm	2	PCS	5707292477804
	75325	Rod for footrest size 3, 38 cm	2	PCS	5707292477811
605*	75327	Holder for footrest size 1	1	PCS	5707292477545
	75312	Holder for footrest size 2	1	PCS	5707292477538
606	73735	Mounting for footrest, left	1	PCS	5707292433473
607	73734	Mounting for footrest, right	1	PCS	5707292477644
608	75323	Extension piece	2	PCS	5707292477644
610	0663000	Button head screw 8*30 stainl.	2	PCS	5707292139597
611	1100500	Spring washer 8mm, stainless	2	PCS	5707292140142
612	1102000	Planing washer 8mm	4	PCS	5707292140227
613	0661200	Button head screw 8*12 stainl.	2	PCS	5707292139542
614	1607000	Lock nut 8mm, large pack	4	PCS	5707292141378
615	2504000	Ferrule e15*1,0-2,0 int.black	4	PCS	5707292144102
616	1100495	Spring washer M8	2	PCS	5707292458674
620	74061	Tooth washer Ø30	2	PCS	5707292373816
621	75315	Rotary joint	2	PCS	5707292477927
622	0602485	Insex M8*25, low head, stainless	4	PCS	5707292432216
623	75329	Tooth disk Ø30x10	2	PCS	5707292482389
624	0603540	Insex low head M8x16 stainless	2	PCS	5707292412485
626	0603700	Insex screw 8*70	2	PCS	5707292138293