

Poussette Cruiser Scout

Vues éclatées - Pièces détachées

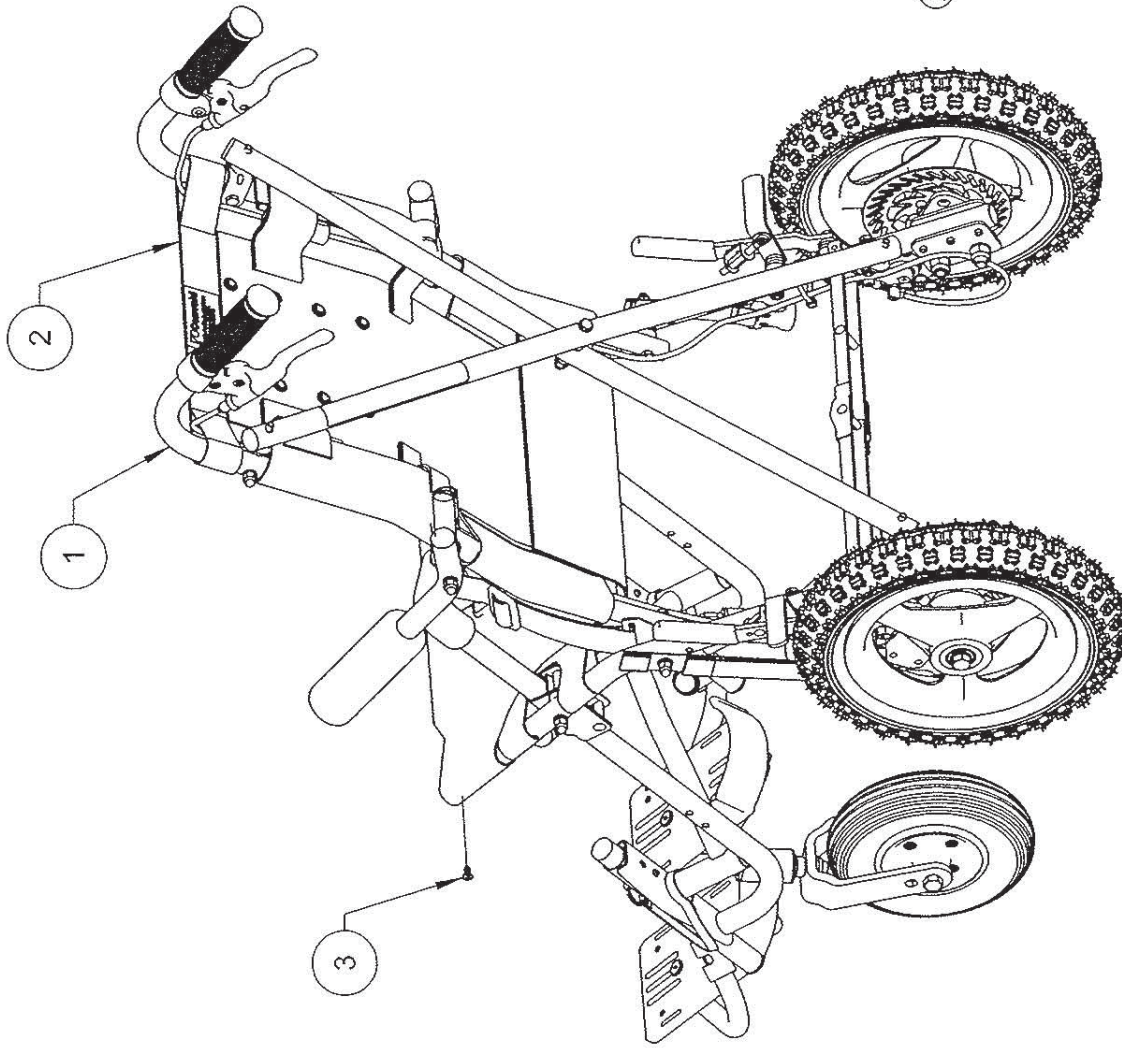


Sommaire :

Cruiser Scout Taille 1	3
Cruiser Scout Taille 2	10
Cruiser Scout Taille 3	20
Cruiser Scout Taille 4	30
Cruiser Scout Pièces communes.....	41

SCOUT TAILLE 1

REVISION		
REV	DESCRIPTION	DATE
-	INITIAL RELEASE PER ECO#000663	7/10/03
A	REVISED PER ECO#001013	12/14/09



ITEM	PART NUMBER	DESCRIPTION	QTY
4			
3	100063	SHEET METAL SCREW #10 X 1/2"	2
2	504030	SC-12 HVY DUTY SEAT ASSY	1
1	504022	SC-12 FRAME ASSEMBLY	1

UNLESS OTHERWISE SPECIFIED
DIMENSIONS ARE IN INCHES
TOLERANCES ARE:
DECIMALS
.x ± .06 .xx ± .03 .xxx ± .010
FRACTIONS ± 1/16 ANGLES ± 1

APPROVAL DATE

DRAWN Ermin N. 7/11/2003
CHECKED BA 7/8/2003
APPROVED EN 7/10/2003

SCALE NTS PRODUCT SC-12

PARJS LIST

Convoid P.O. Box 4209
Palos Verdes, CA 90274, USA

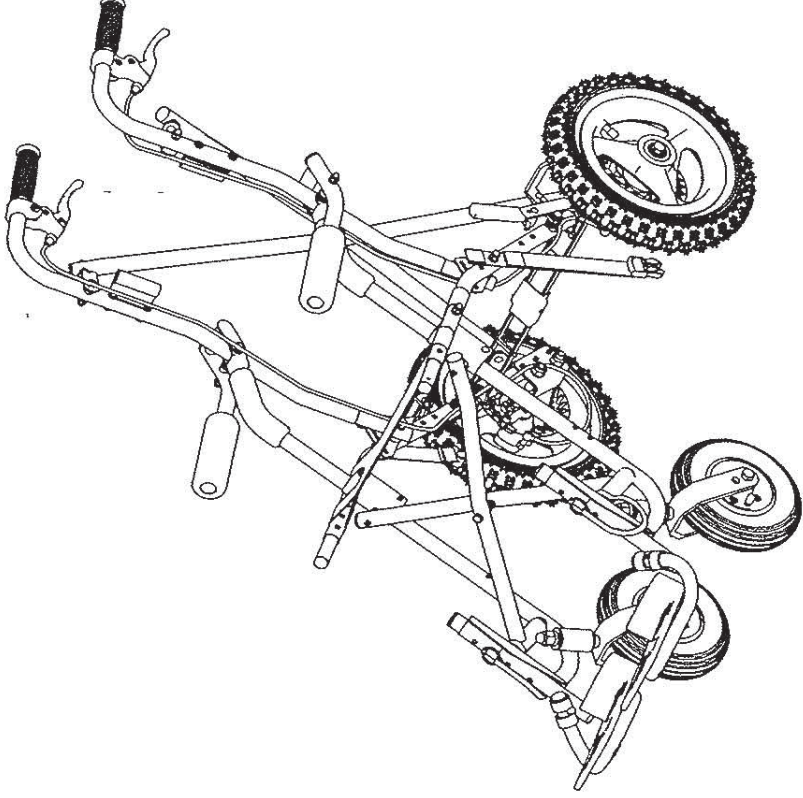
TITLE
SC-12 STANDARD ASSEMBLY

SIZE A DWG NO 504020 REV A

SHEET 1 OF 1

REV	DESCRIPTION	DATE	APPROVED
-	INITIAL RELEASE PER ECO#000663	7/10/03	EN
A	REVISED PER ECO#000776	12/30/03	EN
B	REVISED PER ECO#001013	12/14/09	EN

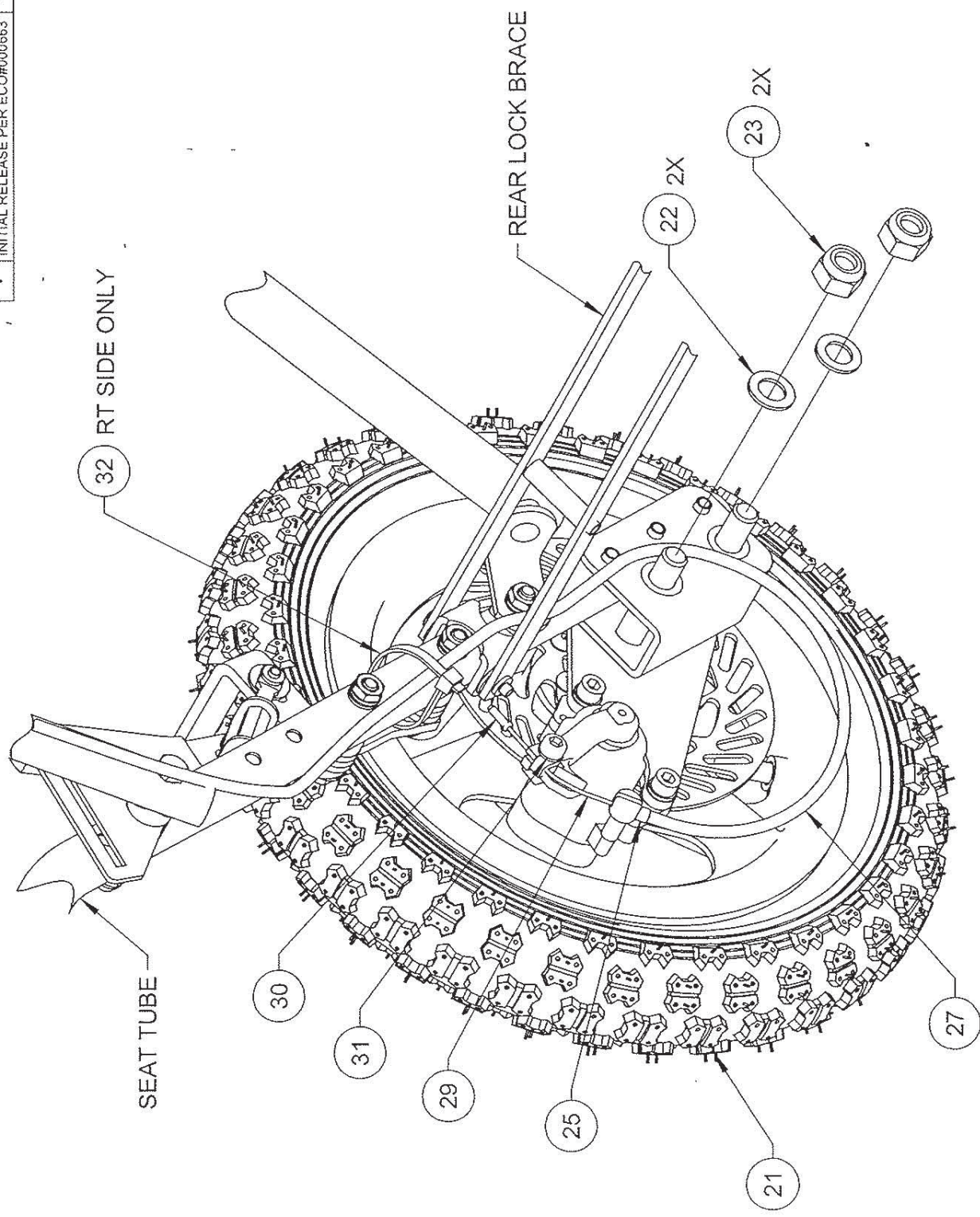
PARTS LIST			
ITEM	PART NUMBER	DESCRIPTION	QTY
1	503975	CX-12 FRONT FRAME ASSEMBLY	1
2	504023	SC-12 REAR FRAME ASSEMBLY	1
3			
4	100374	V-BRAKE LEVER (PAIR)	2
5	100306	GRIP FEATHER 7/8" BLACK	2
6	100009	BOLT 1/4"-28 X 3" HEX HEAD	2
7	100478	NYLON WASHER 1/4" X 3/4" X 1/8"	6
8	100065	COVERED WASHER - 3/4"	6
9	503622	SCOUT ARMREST ASSY, LH	1
10	503623	SCOUT ARMREST ASSY, RH	2
11	100089	WASHER 1/4" AN-960-416	10
12	100172	LOCKNUT 1/4"-28 CAPPED NYLON	6
13	100287	BOLT 1/4"-28 X 1-1/2" HEX HEAD	2
14	100405	LOCKNUT 1/2"-20 CAPPED NYLON	2
15	100130	"O" RING BEUNA-NITRIAL	2
16	500904	BALLOON CASTER FORK ASSEMBLY	2
17	100022	BOLT 7/16"-20 X 3-1/2" HEX HEAD	2
18	100114	LOCKNUT 7/16"-20 JAM NYLON INS	2
19	503335	SCOUT 8" X 2" WHEEL ASSEMBLY	2
20	503327	SCOUT BRAKE ASSEMBLY, LH	1
21	503328	SCOUT BRAKE ASSEMBLY, RH	1
22	100090	WASHER 7/16" AN-960-716	4
23	100021	LOCKNUT 7/16"-20 NYLON INSERT BLACK ZINC	4
24	504018	CX-12 SEAT SUPPORT ASSEMBLY	1
25	100376	CABLE HOUSING FERRULE	4
26	000353	CABLE HOUSING, LH 33-3/8"	1
27	000353	CABLE HOUSING RH 43-3/8"	1
28	100375	INNER CABLE, LH (38-3/8" REF)	1
29	100375	INNER CABLE, RH (49-3/8" REF)	1
30	100380	INNER CABLE TIP	2
31	100489	CABLE HANGER	2
32	100348	CABLE TIES 7-1/2" BLACK	2
33	502808	ADHESIVE LABEL-TEMPLATE	1
34	000355	REMOVABLE THREAD LOCKER (BLUE)	AR
35	100025	NYLON WASHER 1/4" X 1/2"	2
36	502790	SC-12 ANATOMIC HANDLE TUBE ASSY, LH	1
37	502791	SC-12 ANATOMIC HANDLE TUBE ASSY, RH	1
38	100013	NYLON WASHER 1/4" X 11/16"	4



3 PLACE ITEM 8 BETWEEN SEAT TUBE AND SLIDE HOUDING.
 2 PLACE ITEM 33 ON REAR X BRACE APPROXIMATELY WHERE SHOWN.
 1. FOOTPLATES, CLOSING STRAP, AND RIGHT CABLE ASSEMBLY ARE NOT SHOWN ON EXPLODED VIEW (SHEET 2) FOR CLARITY.
 NOTES: UNLESS OTHERWISE SPECIFIED.

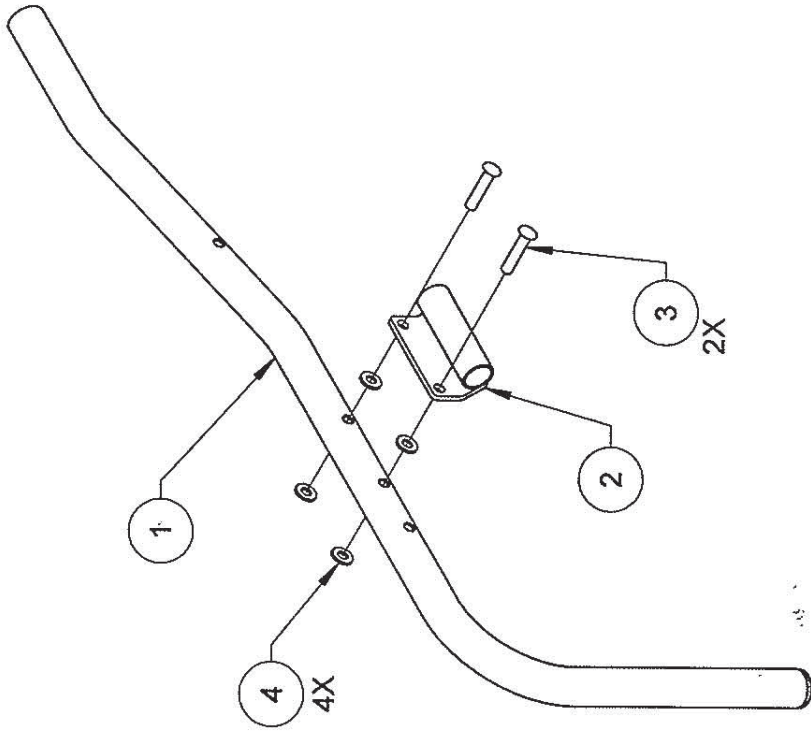
		P.O. Box 4208 Palos Verdes, CA 90274, USA	
UNLESS OTHERWISE SPECIFIED DIMENSIONS ARE IN INCHES TOLERANCES ARE: x ± .06 xx ± .03 xxx ± .010 FRACTIONS ± 1/16 ANGLES ± 1			
APPROVAL DRAWN Ermin N. CHECKED BA APPROVED EN	DATE 4/8/2003 7/19/2003 7/10/2003	TITLE SC-12 FRAME ASSEMBLY	SIZE DWG NO 504022
SCALE NTS EN	PRODUCT SC-12	SHEET 1 OF 3	REV B

REVISION		DATE	APPROVED
REV	DESCRIPTION	7/10/03	EN
-	INITIAL RELEASE PER ECO#000663		



SIZE	DWG NO	REV
A	504022	-
SCALE NTS	PRODUCT	SHEET 3 OF 3
	SC-12	

REVISION		
REV	DESCRIPTION	DATE
-	INITIAL RELEASE PER ECO#000844	9/22/04
		APPROVED
		CM



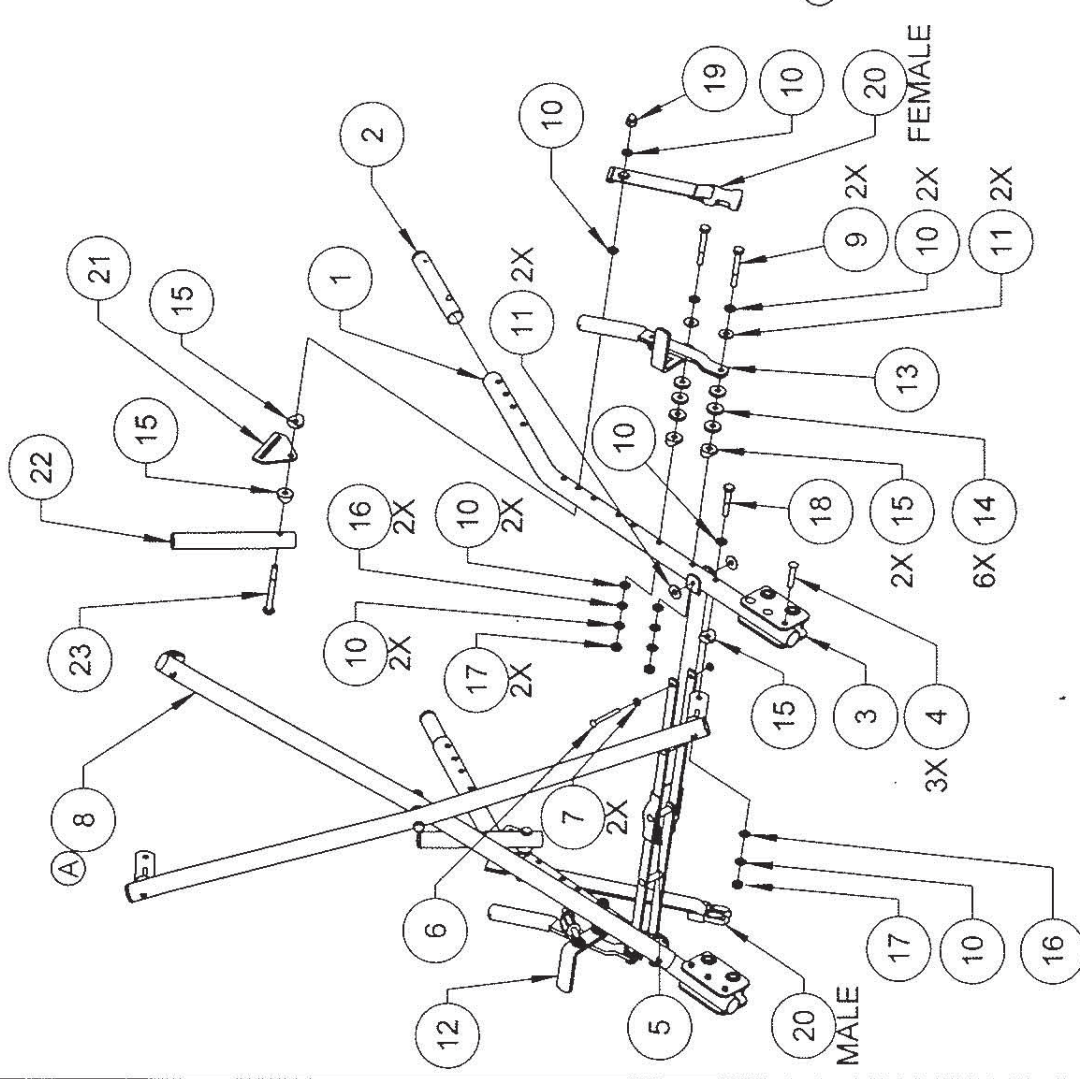
502790 LEFT HAND (SHOWN)
502791 RIGHT HAND (OPPOSITE)

ITEM	PART NUMBER	DESCRIPTION	QTY
4	100089	WASHER 1/4" AN-960-416	4
3	100096	RIVET 1/4" X 1-3/16" S/T	2
2	502778	SCOUT HEADREST MOUNT	1
1	504025	SC-12 ANATOMIC HANDLE TUBE	1

PARTS LIST			
UNLESS OTHERWISE SPECIFIED DIMENSIONS ARE IN INCHES TOLERANCES ARE: DECIMALS x ± .03 xx ± .010		P.O. Box 4209 Palos Verdes, CA 90274, USA	
FRACTIONS ± 1/16 ANGLES ± 1		TITLE Convoid SC-12 ANATOMIC HANDLE TUBE ASSY	
APPROVAL	DATE	SIZE	REV
M. J. [Signature]	8/3/2004	A	502790/1
CHECKED		DWG NO	
APPROVED CM	9/22/04	SCALE NTS	PRODUCT SC-12
			SHEET 1 OF 1

NOTES: UNLESS OTHERWISE SPECIFIED.

REVISION			
REV	DESCRIPTION	DATE	APPROVED
-	INITIAL RELEASE PER ECO#000663	7/10/03	EN
A	REVISED PER ECO#001013	12/19/09	EN



ITEM	PART NUMBER	DESCRIPTION	QTY
23	100098	BOLT 1/4"-28 X 2-1/2" HEX HEAD	2
22	500996	TELESCOPING TUBE 3/4"	2
21	500083	FOOTSTRAP BRACKET	2
20	502096	CLOSING STRAP ASSEMBLY	1
19	100172	LOCKNUT 1/4"-28 CAPPED NYLON	2
18	100267	BOLT 1/4"-28 X 1-1/2" HEX HEAD	2
17	100286	LOCKNUT 1/4"-28 JAM FLEXLOCK BLACK ZINC	6
16	100025	NYLON WASHER 1/4" X 1/2"	6
15	100065	COVERED WASHER - 3/4"	10
14	100478	NYLON WASHER 1/4" X 3/4" X 1/8"	12
13	500309	HAND TOGGLE BRAKE ASSY LONG, RH	1
12	500308	HAND TOGGLE BRAKE ASSY LONG, LH	1
11	100013	NYLON WASHER 1/4" X 1 1/16"	8
10	100089	WASHER 1/4" AN-960-416	20
9	100230	BOLT 1/4"-28 X 2" HEX HEAD	4
8	504016	CX-12 REAR X BRACE ASSEMBLY	1
7	100120	BACK UP WASHER 3/16"	4
6	100171	RIVET 3/16" X 1-3/4" S/T	2
5	502045	ME-12 REAR LOCK BRACE ASSY	1
4	100209	RIVET 1/4" X 1-1/4" S/T ZINC	6
3	500182	AXLE BRACKET	2
2	502057	SEAT EXTENSION TUBE ASSY ME-12	2
1	503988	CX-12 SEAT TUBE, WELDED	2

UNLESS OTHERWISE SPECIFIED
DIMENSIONS ARE IN INCHES
TOLERANCES ARE
DECIMALS
FRACTIONS ± 1/16 ANGLES ± 1
x ± .06 xx ± .03 xxx ± .010

APPROVAL DATE

DRAWN Ermin N. 3/31/2003
CHECKED BA 7/8/2003
APPROVED EN 7/19/2003

SIZE A
SCALE NTS
PRODUCT SC-12

DWG NO 504023
REV A

SHEET 1 OF 1

Convoid P.O. Box 4209
Palos Verdes, CA 90274, USA

TITLE
SC-12 REAR FRAME ASSEMBLY

PARTS LIST

SCOUT TAILLE 2

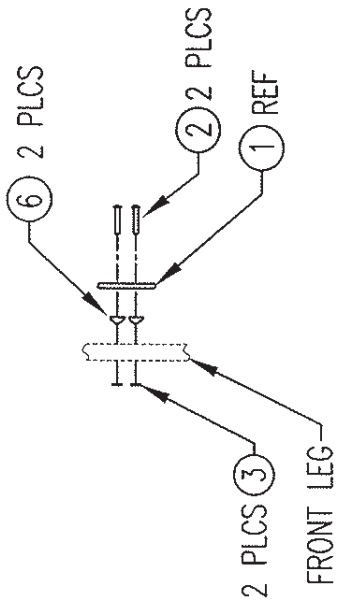
PARTS LIST			
ITEM	PART NUMBER	DESCRIPTION	QTY
1	502659	TRANSPORT ANCHOR	4
2	100151	RIVET 1/4" X 1-7/16" S/T STEEL	4
3	100089	WASHER 1/4" AN-960-416	10
4	504105	TRANSIT ANCHOR SUPPORT 7/8"	2
5	503813	TRANSIT ANCHOR LOCK PIN SLEEVE	2
6	100065	COVER WASHER 3/4"	4
7	503815	TRANSIT ANCHOR LOCK PIN 1-5/8"	2
8	500360	CAUTION CARD	1
9	100286	LOCKNUT 1/4"-28 JAM FLEXLOCK BLACK ZINC	2
10	100542	RIVET 1/4" X 1-1/2" STAINLESS STEEL	2
11	503501	HEEL LOOP - MEDIUM	2
12	100109	RIVET 3/16" X 5/8" S/T	4
13	100078	SCREW #10-24 X 3/4" PHILLIPS	2
14	100118	LOCKNUT #10-24 JAM FLEXLOCK BLACK ZINC	2
15	500713	H-HARNES 1-1/2" ASSEMBLY	2
16	500959	H-HARNES GUIDE	1
17	100173	PADDED STRAP COVER 9"	2
18	503307	SC-14 HEADREST EXTENSION	1
19	503812	ADHESIVE LABEL - TRANSIT	1
20	502699	ADHESIVE LABEL - ANCHOR LOGO	4

REVISION			
REV	DESCRIPTION	DATE	APPROVED
-	INITIAL RELEASE PER ECO#000813	4/7/04	[Signature]

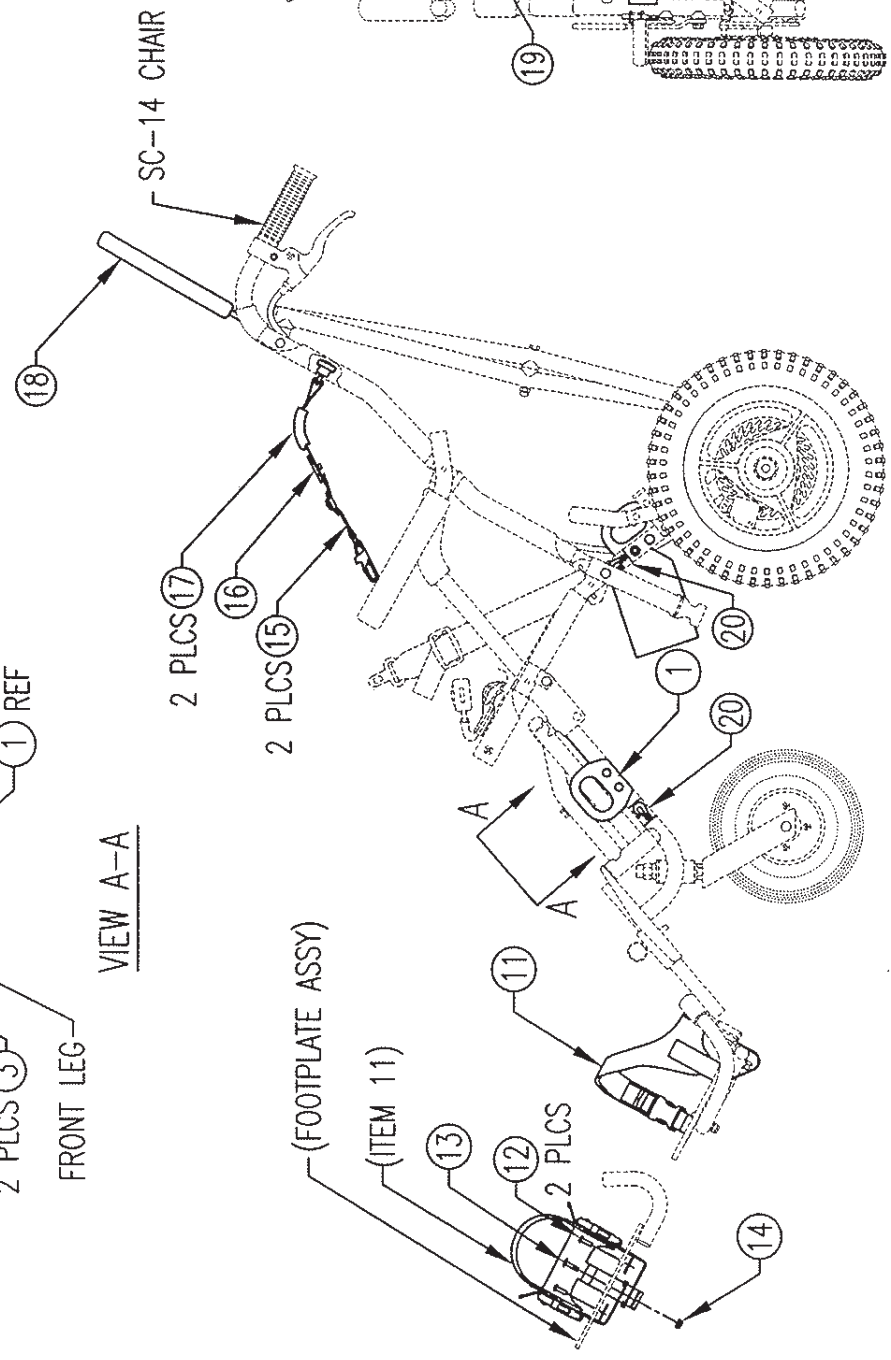
UNLESS OTHERWISE SPECIFIED DIMENSIONS ARE IN INCHES TOLERANCES ARE		Convoid P.O. BOX 4209 Palos Verdes, CA 90274 USA	
X ± .06	.XX ± .03	XXX ± .010	TITLE
FRACTIONS ± 1/16	ANGLES ± 1°	DO NOT SCALE DRAWING	SC-14 TRANSPORT (BUS) KIT
DATE	APPROVAL	DATE	SIZE
03/22/04	M. TAGUPA	03/22/04	A
04/05/04	[Signature]	04/05/04	DRG. NO.
04/05/04	[Signature]	04/05/04	504458
			REV
			-
			SHEET 1 OF 2

⚠ TIGHTEN TO A MAXIMUM TORQUE OF 28 LB-IN.
 1. FOOTPLATES OMITTED FROM REAR VIEW FOR CLARITY.
 NOTES: UNLESS OTHERWISE SPECIFIED.

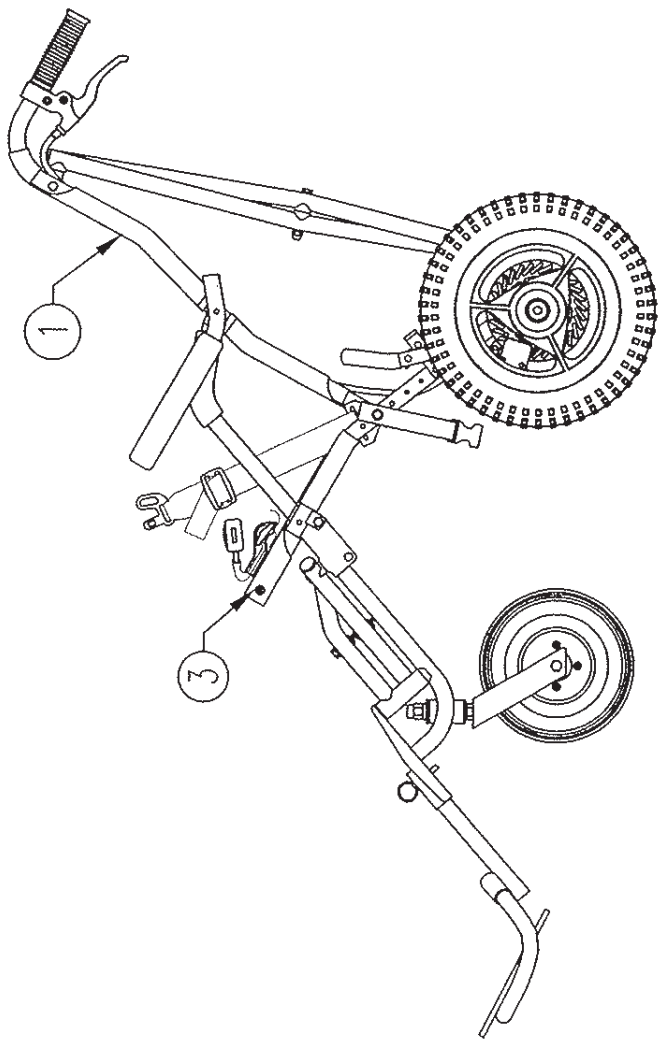
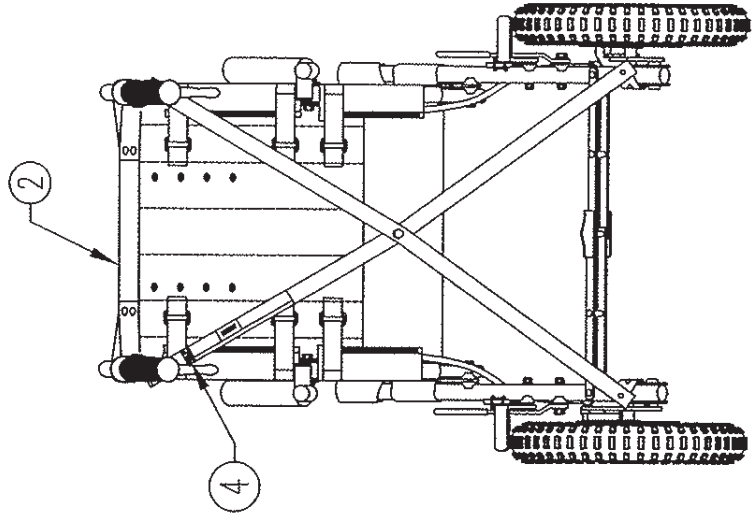
REVISION			
REV	DESCRIPTION	DATE	APPROVED
-	INITIAL RELEASE PER ECO#000813		



VIEW A-A



REVISION			
REV	DESCRIPTION	DATE	APPROVED
-	INITIAL RELEASE PER ECO#000520	4/27/01	PR
A	COMPLETE REDESIGN - ECO#000598	2--28--02	EN



ITEM	PART NUMBER	DESCRIPTION	QTY
4	100179	LABEL SERIAL #	1
3	100063	SHEET METAL SCREW #10 X 1/2"	2
2	503337	SC-14 HEAVY DUTY SEAT ASSEMBLY	1
1	503325	SC-14 FRAME ASSEMBLY	1

UNLESS OTHERWISE SPECIFIED DIMENSIONS ARE IN INCHES DECIMALS

X = .06 .XX ± .03 .XXX ± .010 FRACTIONS ± 1/16 ANGLES ± 1° DO NOT SCALE DRAWING

APPROVAL: B. AVILA DATE: 04/25/01
 CHECKED: EN DATE: 4/27/01
 APPROVED: PR DATE: 4/27/01

CONVAID P.O. BOX 4209
 POLOS VERDES, CA 90274 USA

SC-14 STANDARD ASSEMBLY

SCALE: 1/10 PRODUCT: SC-14 SHEET: 1 OF 1

NOTES: UNLESS OTHERWISE SPECIFIED.

REVISION			
REV	DESCRIPTION	DATE	APPROVED
-	INITIAL RELEASE PER ECO#000520	4/27/01	PR
A	REVISED PER ECO#000524	09/05/01	PR
B	COMPLETE REDESIGN - ECO#000598	2/28/02	EN
C	MODIFIED PER ECO#000614	5-28-02	EN
D	MODIFIED PER ECO#000776	12/30/03	

PARTS LIST			
ITEM	PART NUMBER	DESCRIPTION	QTY
26	503327	SCOUT BRAKE ASSEMBLY LH	1
	503328	SCOUT BRAKE ASSEMBLY RH	1
27	100021	LOCKNUT 7/16"-20 NYLON INSERT	4
28	000353	CABLE HOUSING, LH - 33-3/8"	1
	000353	CABLE HOUSING, RH - 43-3/8"	1
29	100376	CABLE HOUSING FERRULE	4
30	100375	INNER CABLE, LH - (38-3/8" REF.)	1
	100375	INNER CABLE, RH - (49-3/8" REF.)	1
31	100499	CABLE HANGER	2
32	100380	INNER CABLE TIP	2
33	100348	CABLE TIES 7-1/2" BLACK	2
34	503323	LABEL - SCOUT	1
35	000355	REMOVABLE THREAD LOCKER (BLUE)	1
36			A/R

ITEM	PART NUMBER	DESCRIPTION	QTY
25	100374	LEVER (PAIR)	1
24	100157	SPACER 1/4" X 7/8"	2
23	100114	LOCKNUT 7/16" -20 JAM NYLON INSERT	2
22	100090	WASHER 7/16" AN-960-716	4
21	503335	SCOUT 8" X 2" WHEEL ASSEMBLY	2
20	100022	BOLT 7/16"-20 X 3-1/2" HEX HEAD	2
19	500904	BALLOON CASTER FORK ASSEMBLY	2
18	100405	LOCKNUT 1/2"-20 CAPPED NYLON	2
17	100130	0' RING BEUNA NITRIAL	2
16	100130	0' RING BEUNA NITRIAL	2
15	503623	SCOUT ARMREST ASSEMBLY RH	1
	503622	SCOUT ARMREST ASSEMBLY LH	1
14	100478	NYLON WASHER 1/4" X 3/4" X 1/8"	6
13	100172	LOCKNUT 1/4"-28 CAPPED NYLON	4
12	100025	NYLON WASHER 1/4" X 1/2"	2
11	100089	WASHER 1/4" AN-960-416	12
10	100065	COVERED WASHER 3/4"	4
9	100267	BOLT 1/4"-28 X 1-1/2" HEX HEAD	2
8	100009	BOLT 1/4"-28 X 3" HEX HEAD	2
7	100306	GRIP FEATHER 7/8" BLACK	2
6	100003	TUBE END 7/8" ROUND	2
5	100003	TUBE END 7/8" ROUND	2
4	503639	SC-14 ANATOMIC HANDLE TUBE	2
3	500989	CX-14 SEAT SUPPORT	1
2	503326	SC-14 REAR FRAME ASSEMBLY	1
1	501014	CX-14 FRONT FRAME ASSEMBLY	1

UNLESS OTHERWISE SPECIFIED DIMENSIONS ARE IN INCHES TOLERANCES AND DECIMALS

FRACTIONS * 1/16 ANGLES * 1'

DO NOT SCALE DRAWING

APPROVAL DATE

DESIGNER EN 4/27/01

CHECKER EN 4/27/01

DRAWN B. AMLA 04/25/01

SCALE NONE

PROJECT SC-14

SHEET 1 OF 3

CONVAYD P.O. BOX 4209 Palos Verdes, CA 90274 USA

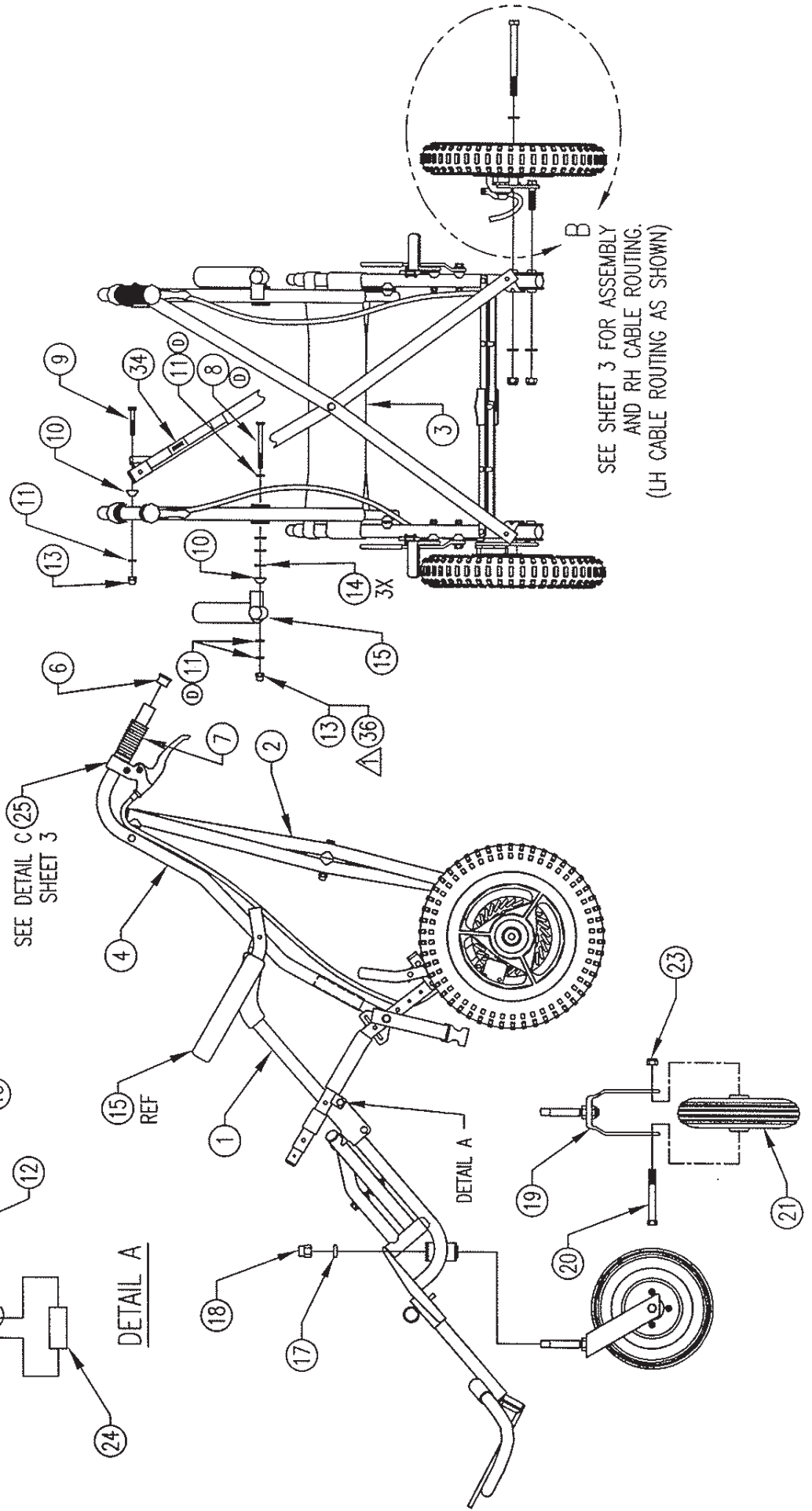
TITLE SC-14 FRAME ASSEMBLY

REV. NO. 503325

REV. D

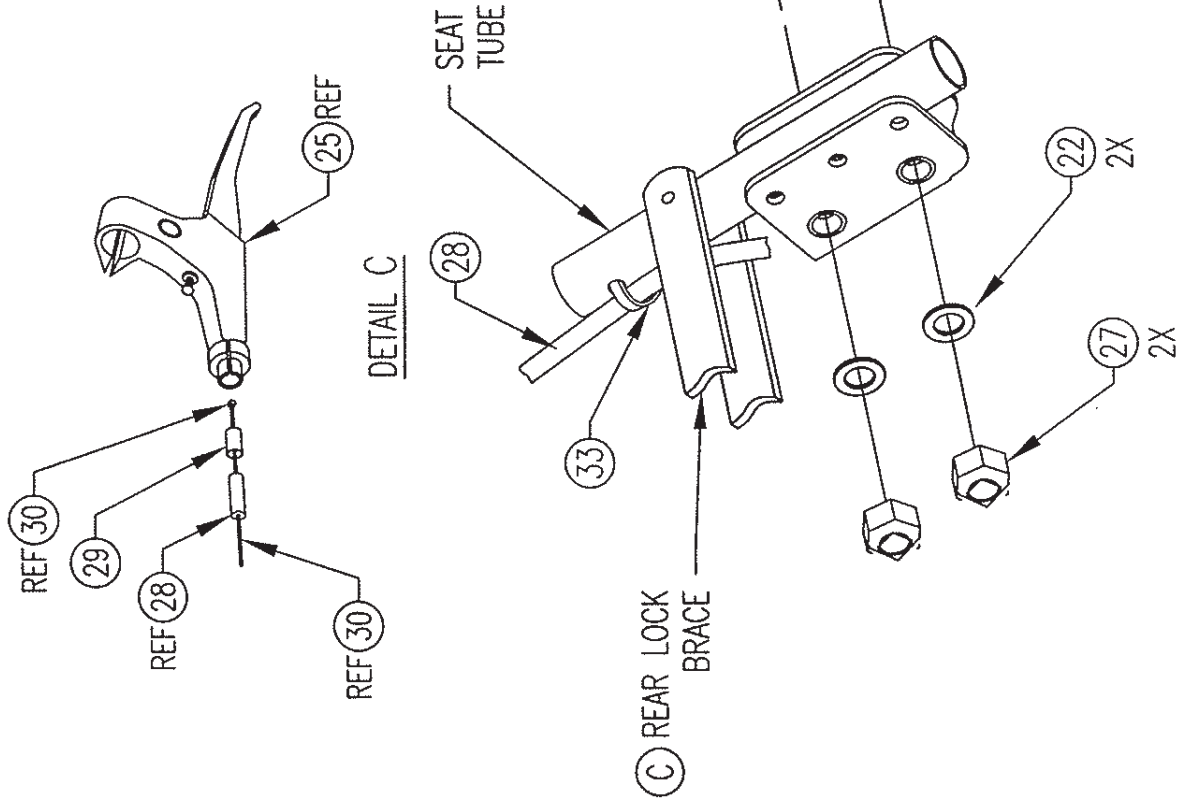
NOTE: APPLY THREAD LOCKER (BLUE) ON LOCKNUT (100172)
 NOTES: UNLESS OTHERWISE SPECIFIED.

REVISION			
REV	DESCRIPTION	DATE	APPROVED
-	INITIAL RELEASE PER ECO#000520	4/27/01	PR
A	REVISED PER ECO#000524	09/05/01	PR
B	COMPLETE REDESIGN - ECO#000598	2/28/02	EN
C	MODIFIED PER ECO#000614	5-28-02	EN
D	MODIFIED PER ECO#000776	12/30/05	EN

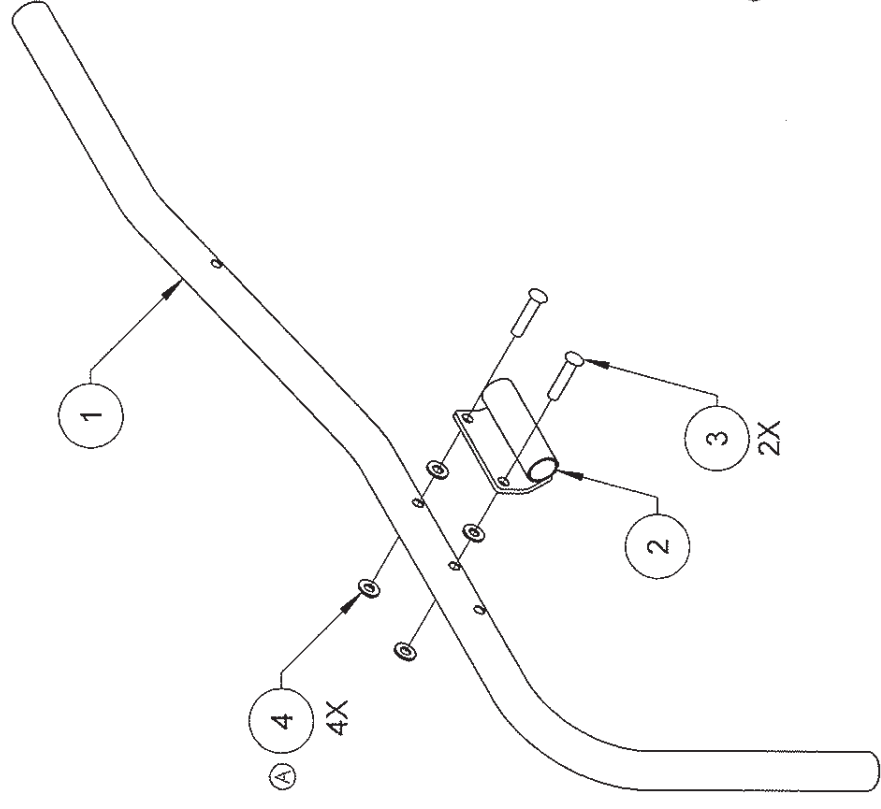


REVISION

REV	DESCRIPTION	DATE	APPROVED
-	INITIAL RELEASE PER ECO#000520	4/27/01	PR
A	REVISED PER ECO#000524	09/05/01	PR
B	COMPLETE REDESIGN - ECO#000598	2/28/02	EN
C	MODIFIED PER ECO#000614	5-28-02	EN



REVISION		
REV	DESCRIPTION	DATE
*	INITIAL RELEASE PER ECO#000817	6/07/04
A	MODIFIED PER CLASS III REV	10/11/04



502784 LEFT HAND (SHOWN)
502785 RIGHT HAND (OPPOSITE)

ITEM	PART NUMBER	DESCRIPTION	QTY
4	100089	WASHER 1/4" AN-960-416	4
3	100096	RIVET 1/4" X 1-3/16" S/T	2
2	502778	SCOUT HEADREST MOUNT	1
1	503639	SC-14 ANATOMICAL HANDLE TUBE	1

UNLESS OTHERWISE SPECIFIED
DIMENSIONS ARE IN INCHES
TOLERANCES ARE:
DECIMALS
x ± .06 xx ± .03 xxx ± .010

FRACTIONS ± 1/16 ANGLES ± 1°

APPROVAL: M. Teguda 3/31/2004
DATE: 6/4/2004

DRAWN: M. Teguda 3/31/2004
CHECKED: B.A. 6/4/2004
APPROVED: EN. 6/7/2004

SCALE: 1/4" = 1" PRODUCT: SC-14

PARTS LIST

Convoid P.O. Box 4209
Palos Verdes, CA 90274, USA

TITLE: SC-14 ANATOMICAL HANDLE
TUBE ASSY

SIZE: A DWG NO: 502784 REV: A

EN. 6/7/2004 SHEET 1 OF 1

NOTES: UNLESS OTHERWISE SPECIFIED.

REVISION			
REV	DESCRIPTION	DATE	APPROVED
-	INITIAL RELEASE PER ECO#000520	4/27/01	PR
A	REVISED PER ECO#000524	09/05/01	PR
B	REVISED PER ECO#000568	10/9/01	PR
C	COMPLETE REDESIGN - ECO#000598	2-26-02	EN
D	MODIFIED PER ECO#000614	5-28-02	EN

ITEM	PART NUMBER	DESCRIPTION	QTY
22	100478	NYLON WASHER 1/4" X 3/4" X 1/8"	12
21	502096	CLOSING STRAP ASSEMBLY	1
20	100120	BACK UP WASHER 3/16"	4
19	100151	RIVET 1/4" X 1-7/16" S/T STEEL	2
18	100209	RIVET 1/4" X 1-1/4" S/T ZINC	4
17	100286	LOCKNUT 1/4"-28 JAM FLEXLOCK	4
16	500309	HAND TOGGLE BRAKE ASSEMBLY LONG RH	1
	500308	HAND TOGGLE BRAKE ASSEMBLY LONG LH	1
15	100013	NYLON WASHER 1/4" X 11/16"	10
14	100230	BOLT 1/4"-28 X 2" HEX HEAD	4
13	100172	LOCKNUT 1/4"-28 CAPPED NYLON	2
12	100025	NYLON WASHER 1/4" X 1/2"	4
11	100089	WASHER 1/4" AN-960-416	18
10	500083	FOOTSTRAP BRACKET	2
9	100085	COVER WASHER 3/4"	8
8	100098	BOLT 1/4"-28 X 2-1/2" HEX HEAD	2
7	100171	RIVET 3/16" X 1-3/4" S/T	2
6	500182	AXLE BRACKET	2
5	502182	CX-14A TELESCOPING TUBE	2
4	500807	CX-14 REAR LOCK BRACE ASSEMBLY	1
3	503388	SC-14 REAR X BRACE ASSEMBLY	1
2	500392	SEAT EXTENSION TUBE ASSEMBLY	2
1	501011	CX-14 SEAT TUBE ASSEMBLY	2

UNLESS OTHERWISE SPECIFIED DIMENSIONS ARE IN INCHES DECIMALS	
XX ± .03	XXX ± .010
FRACTIONS ± 1/16	ANGLES ± 1'
DO NOT SCALE DRAWING	
APPROVAL	DATE
DESIGNED BY: B. AVILA	04/26/01
CHECKED BY: EN	4/27/01
APPROVED BY: PR	4/27/01
SCALE: 1/10	PRODUCT: SC-14
SHEET: 1	OF: 2

Convoid P.O. BOX 4209
 Palos Verdes, CA 90274 USA

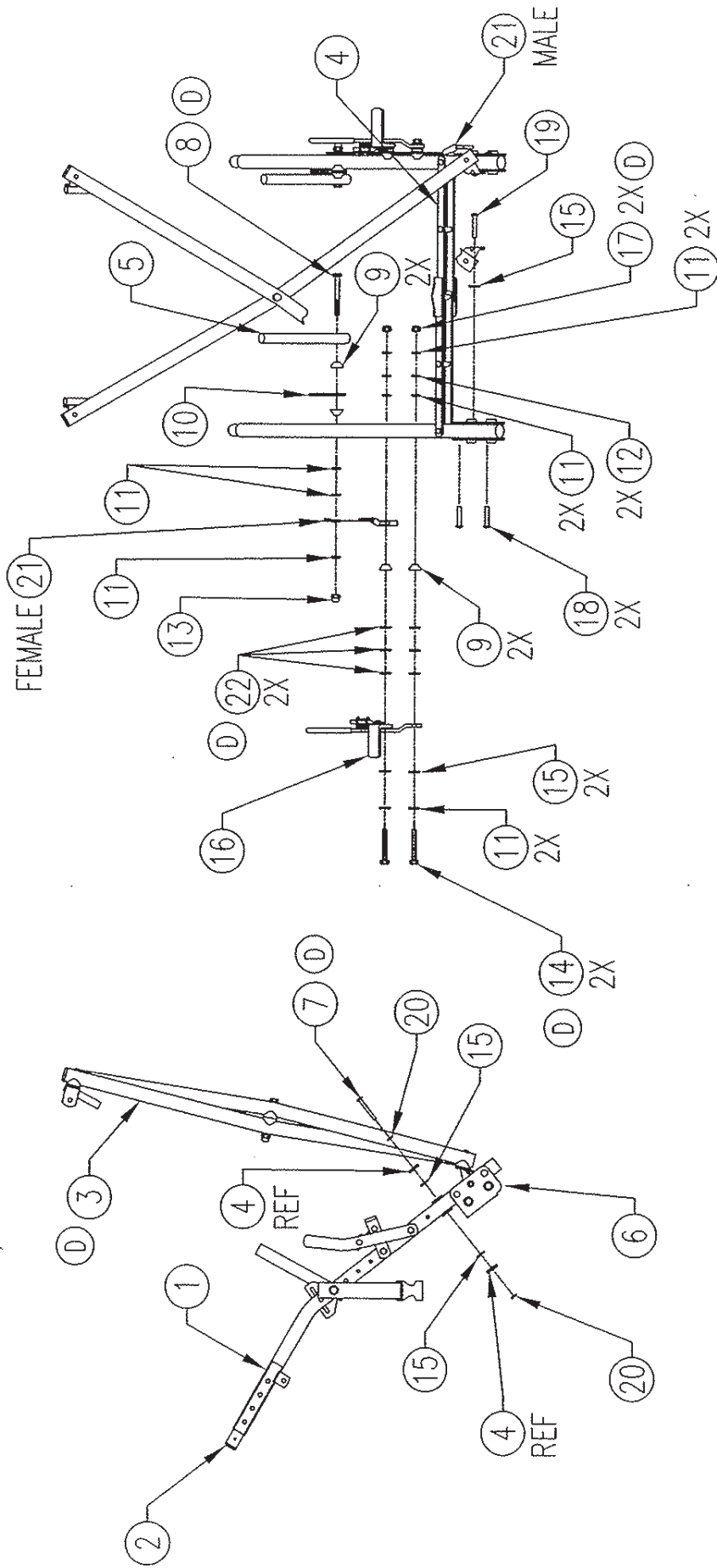
TITLE: SC-14 REAR FRAME ASSEMBLY

REV: D

503326

NOTES: UNLESS OTHERWISE SPECIFIED.

REVISION			
REV	DESCRIPTION	DATE	APPROVED
C	COMPLETE REDESIGN - ECO#000598	2-26-02	EN
D	MODIFIED PER ECO#000614	5-28-02	<i>[Signature]</i>





SIZE	REV	DATE	REV
A		503326	D
SHEET	1/10	FIGURE	SC-14
		SHEET	2 OF 2

SCOUT TAILLE 3

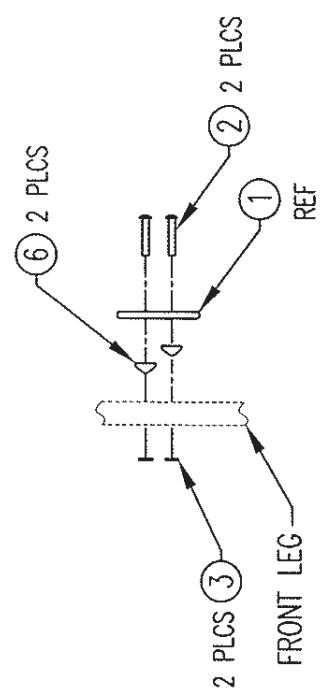
PARTS LIST			QTY
ITEM	PART NUMBER	DESCRIPTION	
1	502659	TRANSPORT ANCHOR	4
2	100151	RIVET 1/4" X 1-7/16" S/T STEEL	4
3	100089	WASHER 1/4" AN-960-416	10
4	504105	TRANSIT ANCHOR SUPPORT 7/8"	2
5	503813	TRANSIT ANCHOR LOCK PIN SLEEVE	2
6	100065	COVERED WASHER 3/4"	4
7	503815	TRANSIT ANCHOR LOCK PIN 1-5/8"	2
8	500360	CAUTION CARD	1
9	100286	LOCKNUT 1/4"-28 JAM FLEXLOCK BLACK ZINC	2
10	100542	RIVET 1/4" X 1-1/2" STAINLESS STEEL	2
11	503502	HEEL LOOP - LARGE	2
12	100109	RIVET 3/16" X 5/8" S/T	4
13	100078	SCREW #10-24 X 3/4" PHILLIPS	2
14	100118	LOCKNUT #10-24 JAM FLEXLOCK BLACK ZINC	2
15	500713	H-HARNES 1-1/2" ASSEMBLY	2
16	500959	H-HARNES GUIDE	1
17	100173	PADDED STRAP COVER 9"	2
18	503351	SC-16 HEADREST EXTENSION	1
19	503812	ADHESIVE LABEL - TRANSIT	1
20	502699	ADHESIVE LABEL - ANCHOR LOGO	4

REVISION		
REV	DESCRIPTION	DATE
-	INITIAL RELEASE PER ECO#000813	4/7/04

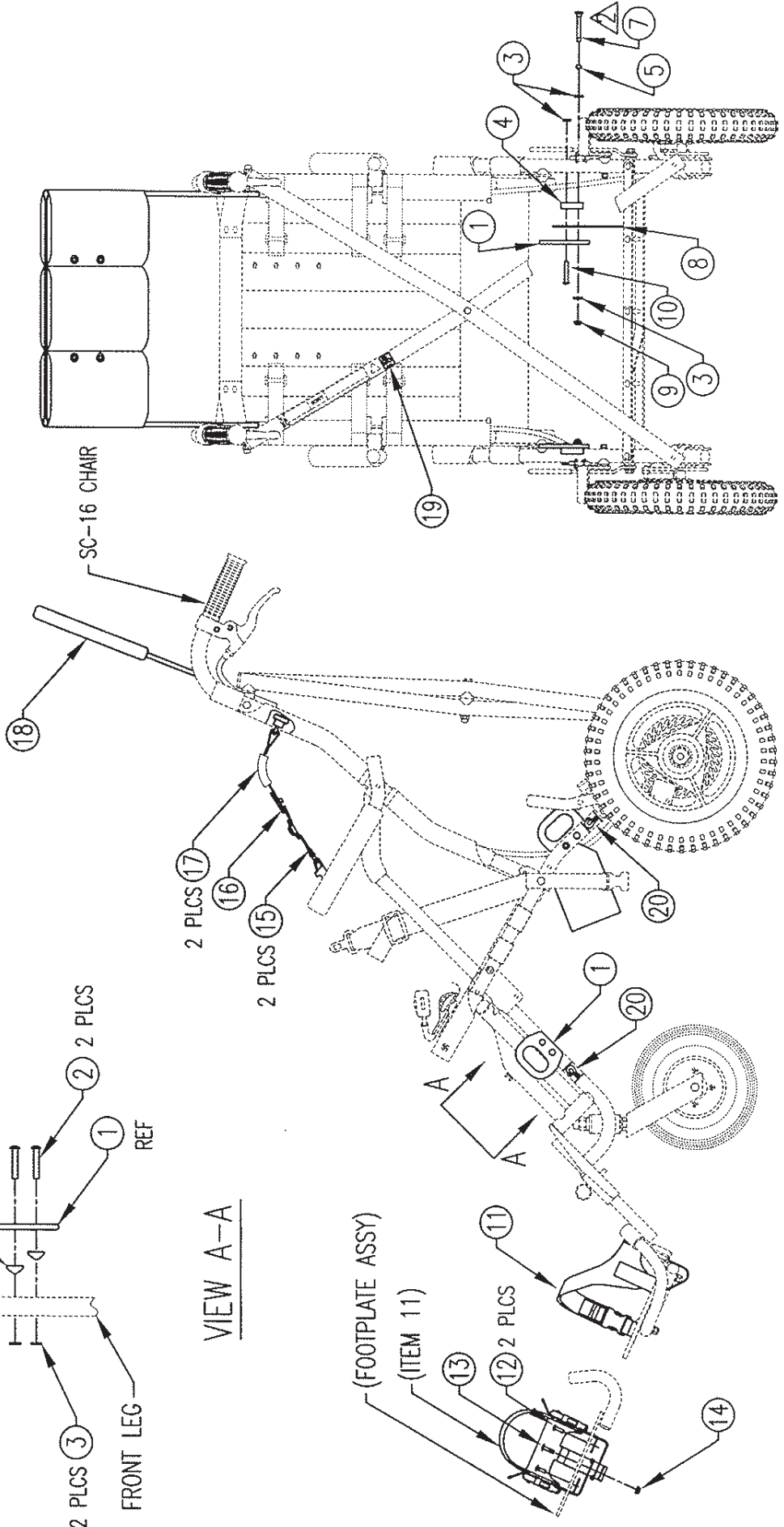
UNLESS OTHERWISE SPECIFIED DIMENSIONS ARE IN INCHES TOLERANCES ARE: X * .06 .001 * .03 .004 * .010 FRACTIONS * 1/16 ANGLES * 1' DO NOT SCALE DRAWING		 Convaid P.O. BOX 4209 Palos Verdes, CA 90274 USA	
APPROVAL	DATE	TITLE	
M. TAGNPA	3/23/04	SC-16 TRANSPORT (BUS) KIT	
DESIGNED	4/7/04	REV. NO.	504457
APPROVED	4/7/04	SCALE	1/10
		SHEET	1 OF 2

 TIGHTEN TO A MAXIMUM TORQUE OF 28 LB-IN.
 1. FOOTPLATES OMITTED FROM REAR VIEW FOR CLARITY.
 NOTES: UNLESS OTHERWISE SPECIFIED.

REVISION		DATE	APPROVED
REV	DESCRIPTION		
-	INITIAL RELEASE PER ECO#000813	4/7/00	[Signature]

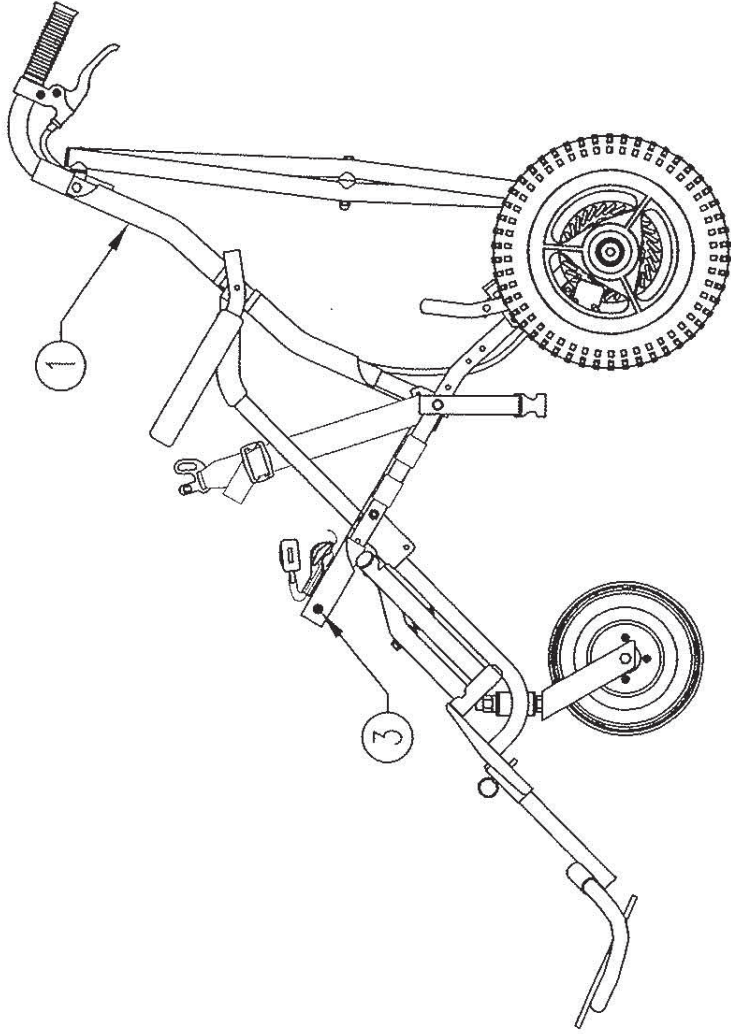
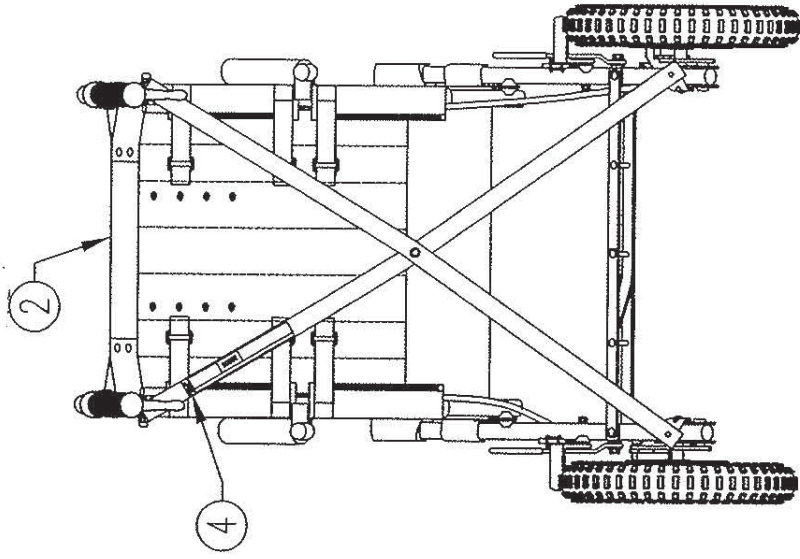


VIEW A-A



REVISION

REV	DESCRIPTION	DATE	APPROVED
-	INITIAL RELEASE PER ECO#000565	9/26/01	PR
A	COMPLETE REDESIGN - ECO#000598	2-28-02	EN



ITEM	PART NUMBER	DESCRIPTION	QTY
4	100179	LABEL - SERIAL #	1
3	100063	SHEET METAL SCREW #10 X 1/2"	2
2	503343	SC-16 HEAVY DUTY SEAT ASSEMBLY	1
1	503341	SC-16 FRAME ASSEMBLY	1

UNLESS OTHERWISE SPECIFIED DIMENSIONS ARE IN INCHES TOLERANCES ARE DECIMALS
 X ± .06 XX ± .03 XXX ± .010
 FRACTIONS ± 1/16 ANGLES ± 1°
 DO NOT SCALE DRAWING

APPROVAL DATE

ERMIN N. 9/25/01
 DESGND BA 9/26/01
 APPROVD PR 9/26/01

SCALE 1/10 PRODUCT SC-16 SHEET 1 OF 1

PARTS LIST

Convoid P.O. BOX 4209
 Palos Verdes, CA 90274 USA

TITLE
SC-16 STANDARD ASSEMBLY

SIZE A
 DWG. NO. 503340
 REV. A

NOTES: UNLESS OTHERWISE SPECIFIED.

PARTS LIST			
ITEM	PART NUMBER	DESCRIPTION	QTY
25	503327	SCOUT BRAKE ASSEMBLY LH	1
	503328	SCOUT BRAKE ASSEMBLY RH	1
26	100021	LOCKNUT 7/16"-20 NYLON INSERT	4
	000353	CABLE HOUSING, LH - 34"	1
	000353	CABLE HOUSING, RH - 44"	1
28	100376	CABLE HOUSING FERRULE	4
	100375	INNER CABLE, LH - (39" REF.)	1
	100375	INNER CABLE, RH - (50" REF.)	1
30	100499	CABLE HANGER	2
31	100380	INNER CABLE TIP	2
32	100348	CABLE TIES 7-1/2" BLACK	2
33	503323	LABEL - SCOUT	1
34	000355	REMOVABLE THREAD LOCKER (BLUE)	A/R
35	100013	NYLON WASHER 1/4" X 11/16"	2

REVISION			
REV	DESCRIPTION	DATE	APPROVED
-	INITIAL RELEASE PER ECO#000565	9/26/01	PR
A	COMPLETE REDESIGN - ECO#000598	2-28-02	EN
B	MODIFIED PER ECO#000614	5-28-02	EN
C	MODIFIED PER ECO#000776	12/30/05	EN

ITEM	PART NUMBER	DESCRIPTION	QTY
24	100374	LEVER (PAIR)	1
23	100114	LOCKNUT 7/16"-20 JAW NYLON INSERT	2
22	100090	WASHER 7/16" AN-960-716	4
21	503335	SCOUT 8" X 2" WHEEL ASSEMBLY	2
20	100022	BOLT 7/16"-20 X 3-1/2" HEX HEAD	2
19	500904	BALLOON CASTER FORK ASSEMBLY	2
18	100405	LOCKNUT 1/2"-20 CAPPED NYLON	2
17	100130	O' RING BELUNA NITRIAL	2
16			
15	503623	SCOUT ARMREST ASSEMBLY RH	1
	503622	SCOUT ARMREST ASSEMBLY LH	1
14	100478	NYLON WASHER 1/4" X 3/4" X 1/8"	8
13	100172	LOCKNUT 1/4"-28 CAPPED NYLON	4
12			
11	100089	WASHER 1/4" AN-960-416	8
10	100065	COVER WASHER 3/4"	6
9	100267	BOLT 1/4"-28 X 1-1/2" HEX HEAD	2
8	100009	BOLT 1/4"-28 X 3" HEX HEAD	2
7	100306	GRIP FEATHER 7/8" BLACK	2
6	100003	TUBE END 7/8" ROUND	2
5			
4	503640	SC-16 ANATOMIC HANDLE TUBE	2
3	500266	CX-16 SEAT SUPPORT	1
2	503342	SC-16 REAR FRAME ASSEMBLY	1
1	501116	CX-16 FRONT FRAME ASSEMBLY	1

UNLESS OTHERWISE SPECIFIED DIMENSIONS ARE IN INCHES DECIMALS

FRACTIONS ± 1/16 ANGLES ± 1° DO NOT SCALE DRAWING

APPROVAL: ERMIN N. 9/21/01
 CHECK: BA 9/26/01
 APPROVE: PR 9/26/01

SCALE: NONE PRODUCT: SC-16 SHEET 1 OF 3

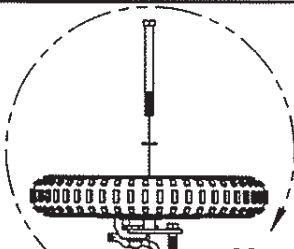
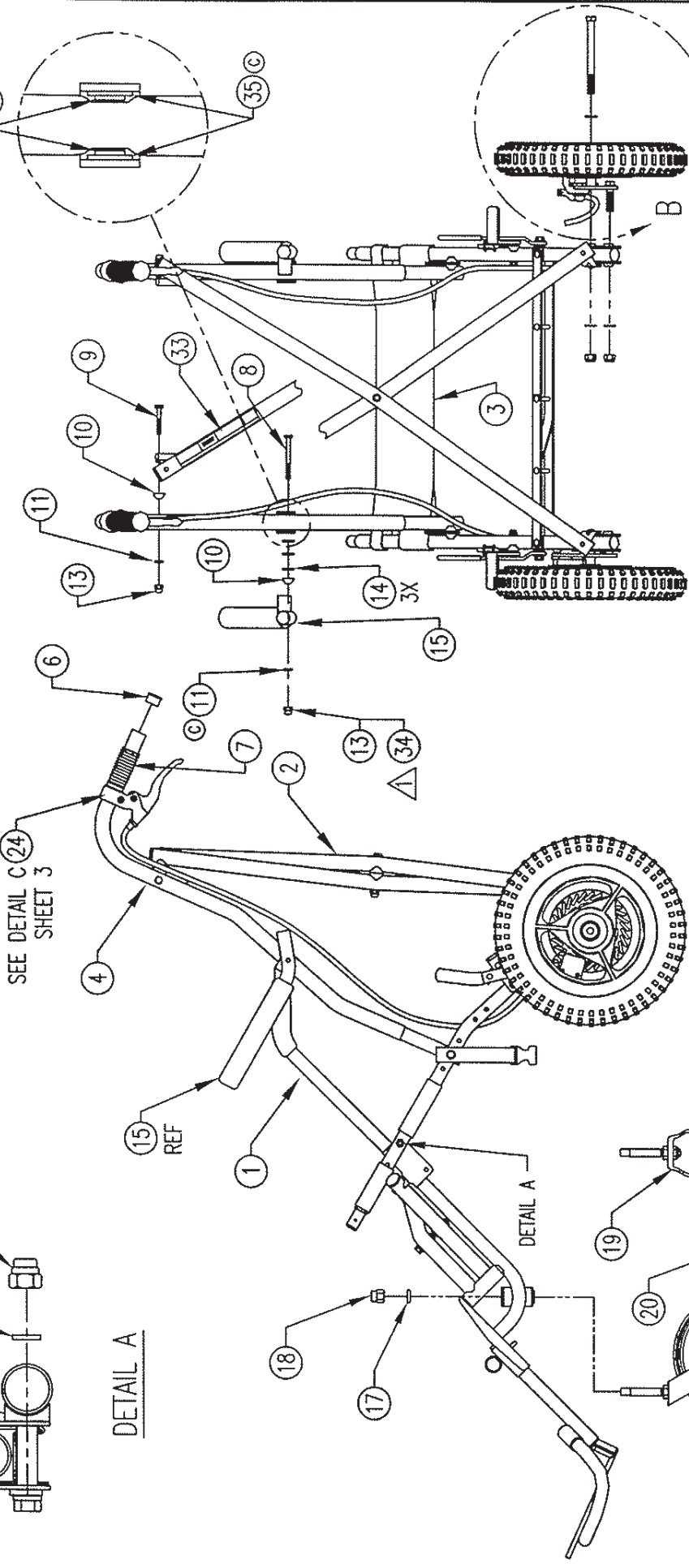
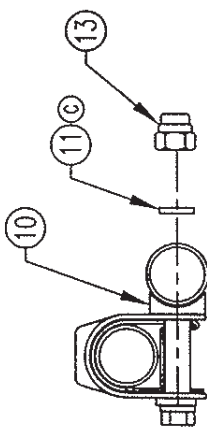
TITLE: SC-16 FRAME ASSEMBLY

Convoid P.O. BOX 4209 Palos Verdes, CA 90274 USA

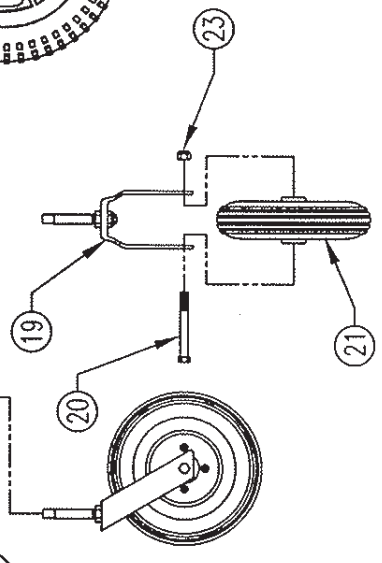
503341

△ APPLY THREAD LOCKER (BLUE) ON LOCKNUT (100172)
 NOTES: UNLESS OTHERWISE SPECIFIED.

REVISION			
REV	DESCRIPTION	DATE	APPROVED
-	INITIAL RELEASE PER ECO#000565	9/26/01	PR
A	COMPLETE REDESIGN - ECO#000598	2-28-02	EN
B	MODIFIED PER ECO#00614	5-28-02	EN
C	MODIFIED PER ECO#000776	12/23/05	EN

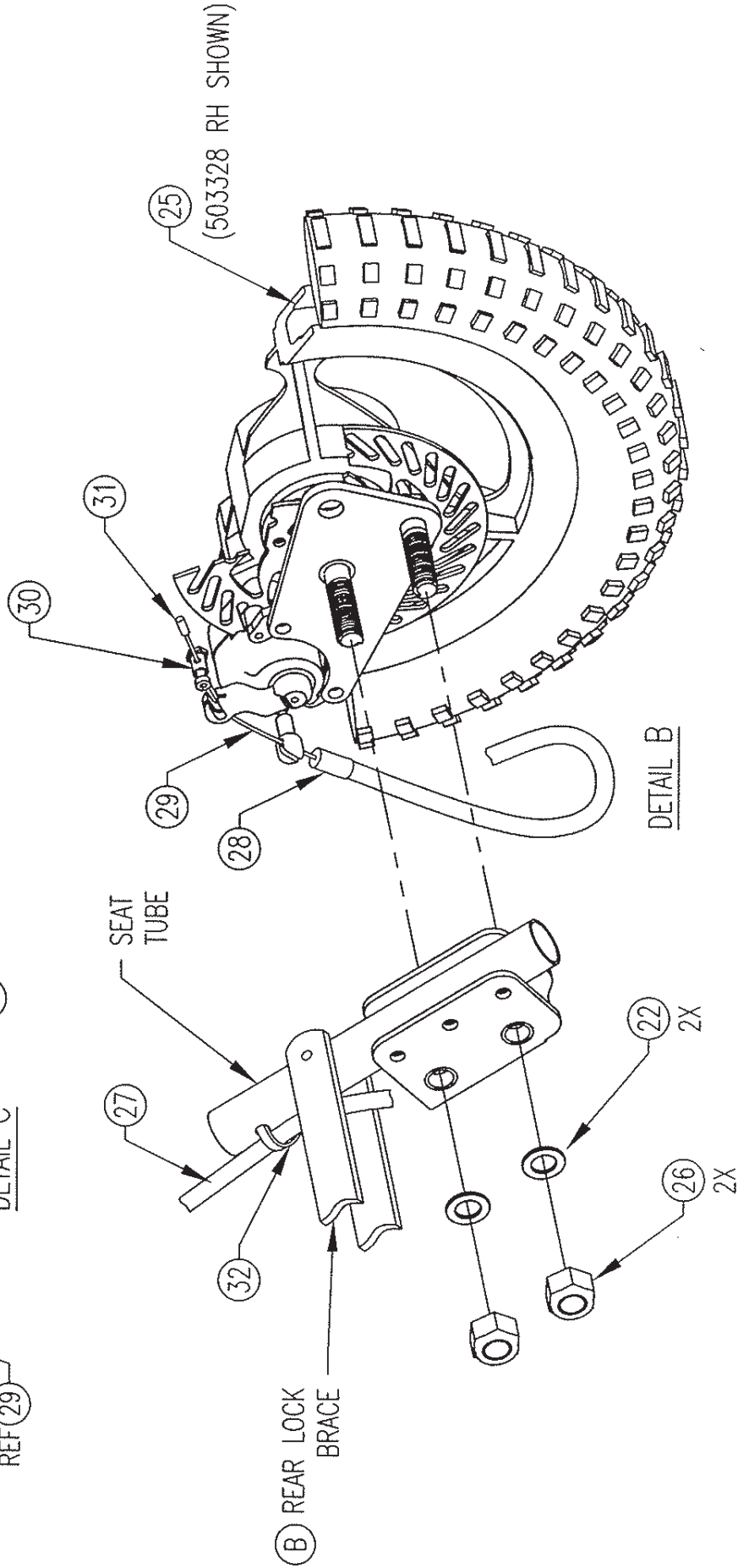
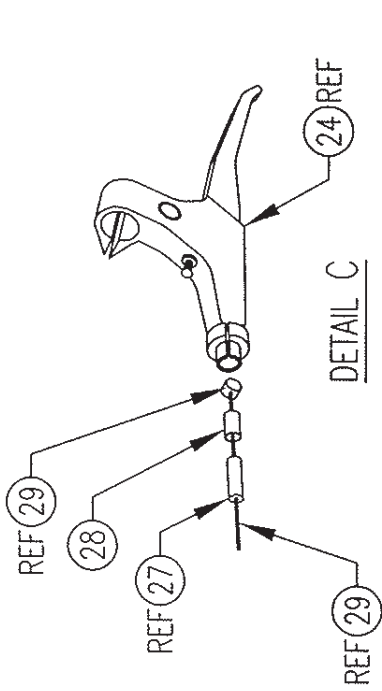


SEE SHEET 3 FOR ASSEMBLY AND RH CABLE ROUTING. (LH CABLE ROUTING AS SHOWN)



REVISION

REV	DESCRIPTION	DATE	APPROVED
-	INITIAL RELEASE PER ECO#000565	9/26/01	PR
A	COMPLETE REDESIGN -- ECO#000598	2-28-02	EN
B	MODIFIED PER ECO#000614	5-28-02	EN



NOTES: UNLESS OTHERWISE SPECIFIED.

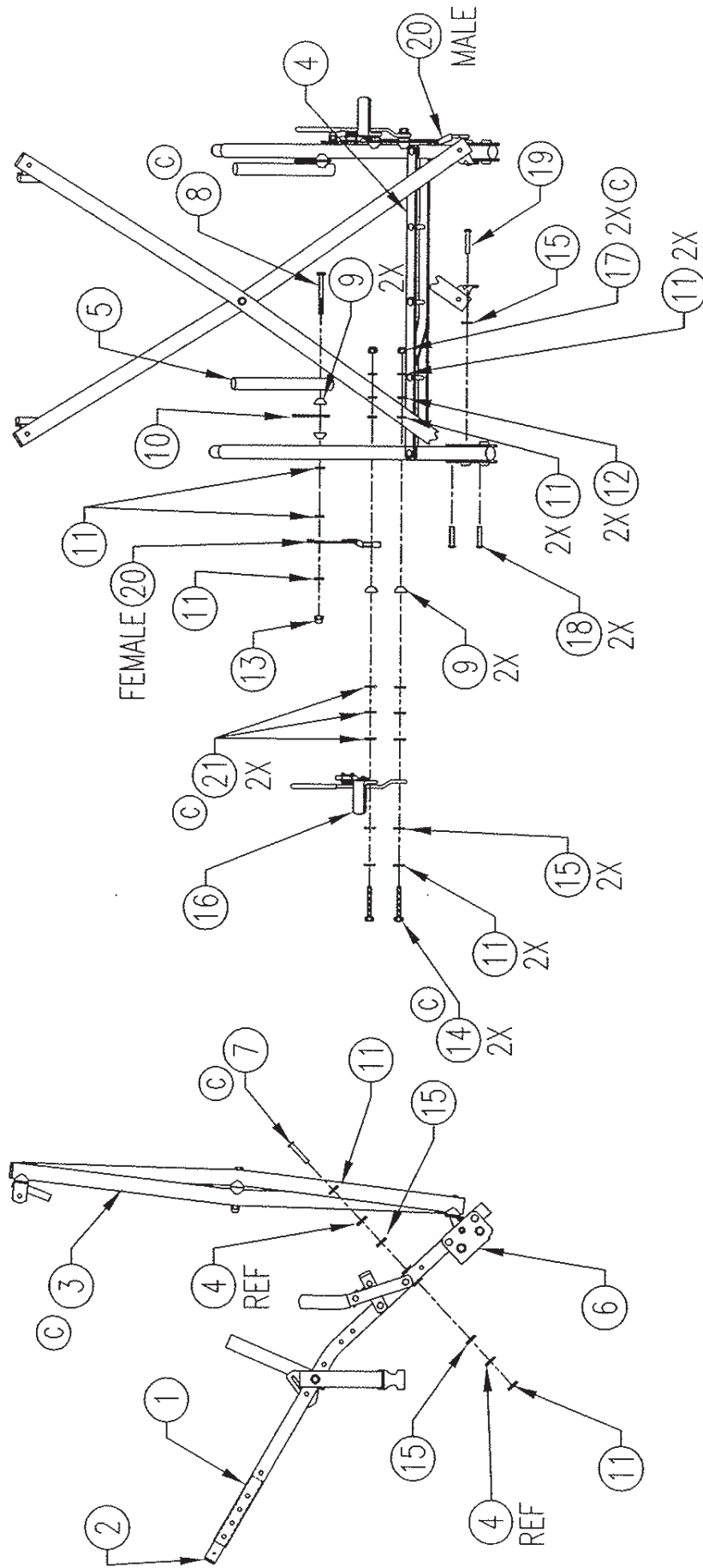
REVISION		
REV	DESCRIPTION	DATE
-	INITIAL RELEASE PER ECO#000565	9/26/01
A	MODIFIED PER ECO#000568	10/9/01
B	COMPLETE REDESIGN -- ECO#000598	2-26-02
C	MODIFIED PER ECO#000614	5-28-02

ITEM	PART NUMBER	DESCRIPTION	QTY
(C) 21	100478	NYLON WASHER 1/4" X 3/4" X 1/8"	12
20	502096	CLOSING STRAP ASSEMBLY	1
19	100151	RIVET 1/4" X 1-7/16" S/T STEEL	2
18	100209	RIVET 1/4" X 1-1/4" S/T ZINC	4
17	100286	LOCKNUT 1/4"-28 JAM FLEXLOCK	4
16	500309	HAND TOGGLE BRAKE ASSEMBLY LONG RH	1
	500308	HAND TOGGLE BRAKE ASSEMBLY LONG LH	1
15	100013	NYLON WASHER 1/4" X 11/16"	10
14	100230	BOLT 1/4"-28 X 2" HEX HEAD	4
13	100172	LOCKNUT 1/4"-28 CAPPED NYLON	2
12	100025	NYLON WASHER 1/4" X 1/2"	4
11	100089	WASHER 1/4" AN-960-416	22
10	500083	FOOTSTRAP BRACKET	2
9	100065	COVERED WASHER 3/4"	8
8	100098	BOLT 1/4"-28 X 2-1/2" HEX HEAD	2
(C) 7	100174	RIVET 1/4" X 1-3/4" S/T	2
6	500182	AXLE BRACKET	2
5	502182	CX-14A TELESCOPING TUBE	2
4	500376	CX-16 REAR LOCK BRACE ASSEMBLY	1
3	503389	SC-16 REAR X BRACE ASSEMBLY	1
(C) 2	500392	SEAT EXTENSION TUBE ASSEMBLY	2
1	500842	CX-16 SEAT TUBE	2

UNLESS OTHERWISE SPECIFIED DIMENSIONS ARE IN INCHES DECIMALS		TITLE	
X ± .06 XX ± .03 .XXX ± .010 FRACTIONS ± 1/16 ANGLES ± 1'		SC-16 REAR FRAME ASSEMBLY	
DO NOT SCALE DRAWING		P.O. BOX 4209 Palos Verdes, CA 90274 USA	
OWN	ERMIN N.	DATE	9/20/01
DRAWN	BA	DATE	9/26/01
APPROVED	PR	DATE	9/26/01
SIZE	A	REV.	C
SHEET	1/10	PROJECT	SC-16
SHEET	1	OF	2

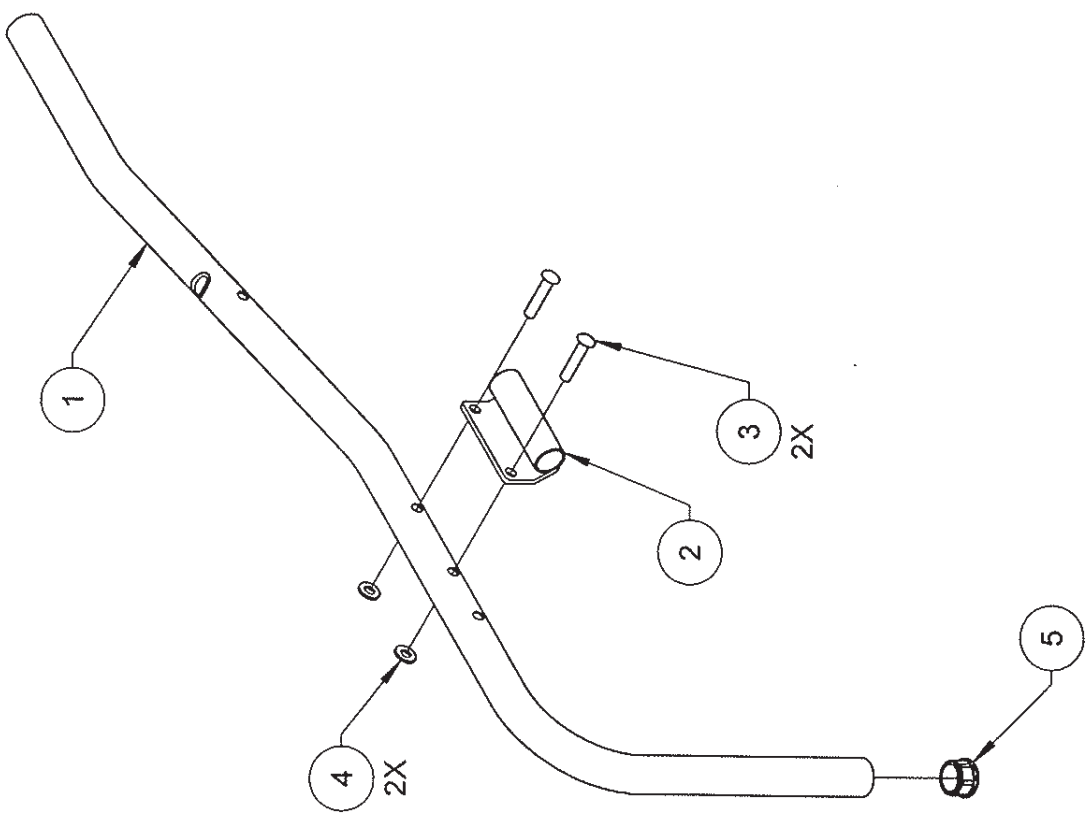
NOTES: UNLESS OTHERWISE SPECIFIED.

REVISION			
REV	DESCRIPTION	DATE	APPROVED
-	INITIAL RELEASE PER ECO#000565	9/26/01	PR
A	MODIFIED PER ECO#000568	10/9/01	PR
B	COMPLETE REDESIGN - ECO#000598	2-26-02	EN
C	MODIFIED PER ECO#000614	5-28-02	EN



SIZE	DWG. NO.	REV.
A	503342	C
SHEET	PRODUCT	SHEET
1/10	SC-16	2 OF 2

REVISION		
REV	DESCRIPTION	DATE
-	INITIAL RELEASE PER ECO#000843	9/12/04



502792 LEFT HAND (SHOWN)
 502793 RIGHT HAND (OPPOSITE)

ITEM	PART NUMBER	DESCRIPTION	QTY
5	100003	TUBE END 7/8" ROUND	1
4	100089	WASHER 1/4" AN-960-416	2
3	100096	RIVET 1/4" X 1-3/16" S/T	2
2	502778	SCOUT HEADREST MOUNT	1
1	503640	SC-16 ANATOMICAL HANDLE TUBE	1

UNLESS OTHERWISE SPECIFIED
 DIMENSIONS ARE IN INCHES
 TOLERANCES ARE:
 DECIMALS
 .x ± .06 .xx ± .03 .xxx ± .010
 FRACTIONS ± 1/16 ANGLES ± 1

Convoid P.O. Box 4209
 Palos Verdes, CA 90274, USA

TITLE: SC-16 ANATOMICAL HANDLE
 TUBE ASSY

DRAWN: M. Tagudin 9/22/04
 CHECKED: [Signature] A
 APPROVED: [Signature] M

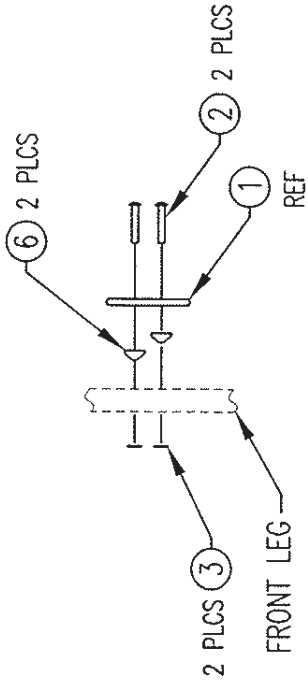
SIZE: A
 DWG NO: 502792/3
 REV: --

SCALE: NTS PRODUCT: SC-16 SHEET 1 OF 1

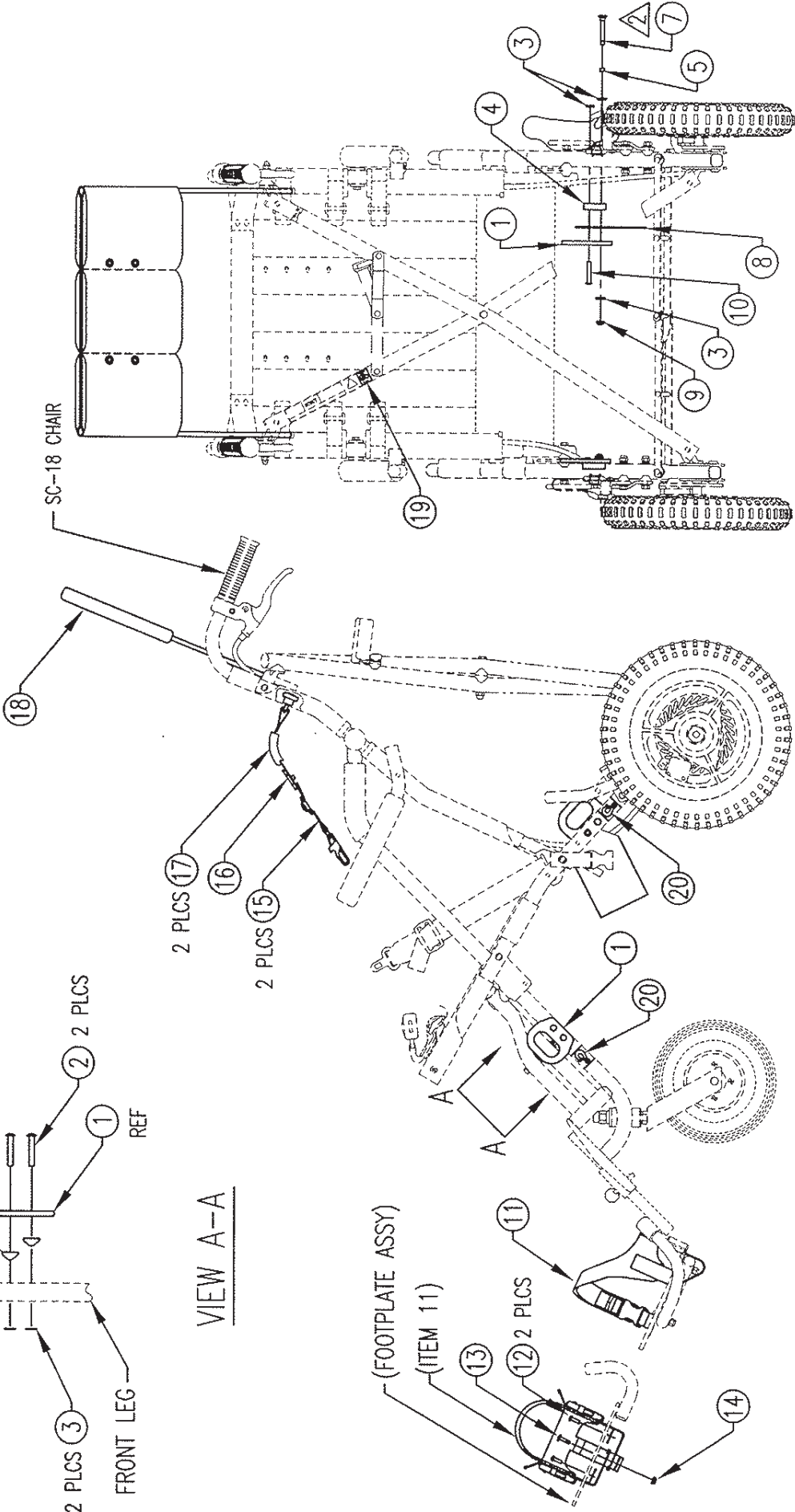
NOTES: UNLESS OTHERWISE SPECIFIED.

SCOUT TAILLE 4

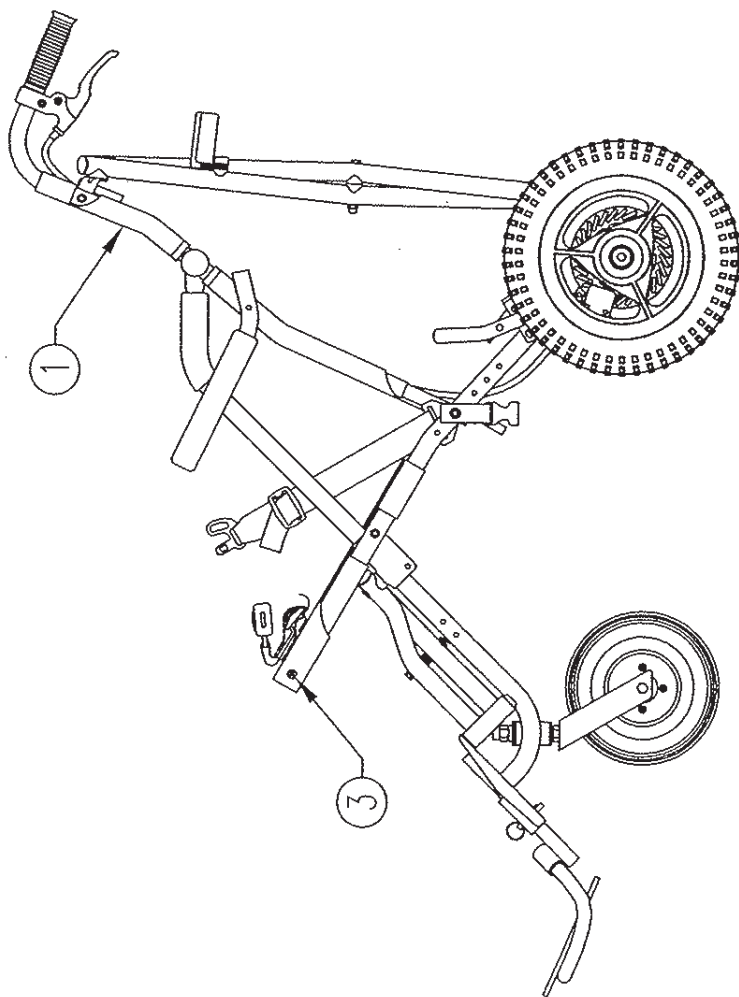
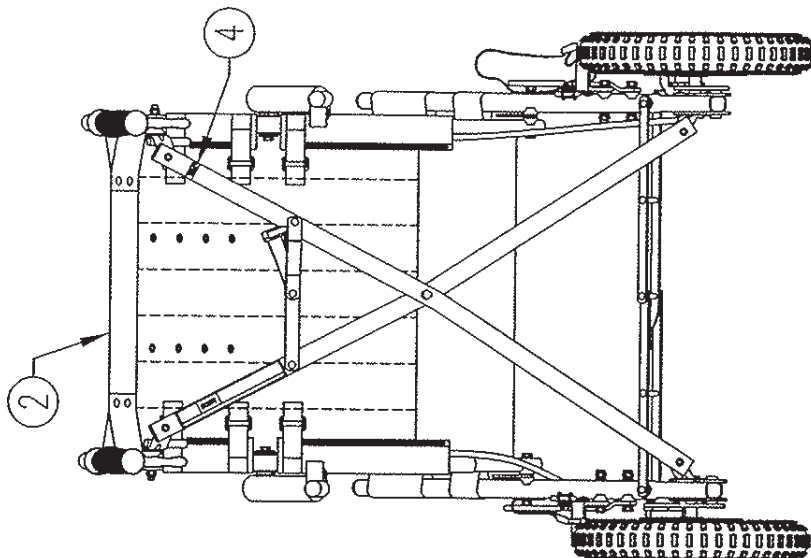
REVISION		DATE	APPROVED
REV	DESCRIPTION		
-	INITIAL RELEASE PER ECO#000813	4/7/04	[Signature]



VIEW A-A



REVISION		
REV	DESCRIPTION	DATE
-	INITIAL RELEASE PER ECO#000622	7-9-02
		APPROVED <i>CW</i>



ITEM	PART NUMBER	DESCRIPTION	QTY
4	100179	LABEL - SERIAL #	1
3	100063	SHEET METAL SCREW #10 X 1/2"	2
2	503356	SC-18 HEAVY DUTY SEAT ASSEMBLY	1
1	503354	SC-18 FRAME ASSEMBLY	1

UNLESS OTHERWISE SPECIFIED
DIMENSIONS ARE IN INCHES
TOLERANCES ARE:
DECIMALS
.X ± .06 .XX ± .03 .XXX ± .010
FRACTIONS ± 1/16 ANGLES ± 1°
DO NOT SCALE DRAWING

APPROVAL
ERMIN N.
DATE
06/25/02

SIZE
A

CONVAID
P.O. BOX 4209
Petalos Verdes, CA 90274 USA

SC-18 STANDARD ASSEMBLY

REV. -

503353

1/10

SC-18

1 OF 1

1. FOOTPLATES OMITTED FROM REAR VIEW FOR CLARITY.
NOTES: UNLESS OTHERWISE SPECIFIED.

PARTS LIST			
ITEM	PART NUMBER	DESCRIPTION	QTY
25	503327	SCOUT BRAKE ASSEMBLY LH	1
	503328	SCOUT BRAKE ASSEMBLY RH	1
26	100021	LOCKNUT 7/16"-20 NYLON INSERT BLACK ZINC	4
27	000353	CABLE HOUSING, LH - 34-1/2"	1
	000353	CABLE HOUSING, RH - 45-1/2"	1
28	100376	CABLE HOUSING FERRULE	4
29	100375	INNER CABLE, LH - 39-1/2"	1
	100375	INNER CABLE, RH - 51-1/2"	1
30	100499	CABLE HANGER	2
31	100380	INNER CABLE TIP	2
32	100348	CABLE TIES 7-1/2" BLACK	1
33	502808	ADHESIVE LABEL-TEMPLATE	1
34	000355	REMOVABLE THREAD LOCKER (BLUE)	A/R
35	100024	BOLT 1/4"-28 X 2-3/4" HEX HEAD	2
36	100224	PLASTIC KNOB 1/4"-28 INSERT	2

REVISION			
REV	DESCRIPTION	DATE	APPROVED
-	INITIAL RELEASE PER ECO#000622	7-9-02	EN
A	MODIFIED HARDWARE	9/17/03	EN
B	MODIFIED PER CLASS III REV	10/11/04	EN

24	100374	V-BRAKE LEVER (PAIR)	1
23	100114	LOCKNUT 7/16"-20 JAM NYLON INSERT	2
22	100090	WASHER 7/16" AN-960-716	8
21	503335	SCOUT 8" X 2" WHEEL ASSEMBLY	2
20	100022	BOLT 7/16"-20 X 3-1/2" HEX HEAD	2
19	500904	BALLOON CASTER FORK ASSEMBLY	2
18	100405	LOCKNUT 1/2"-20 CAPPED NYLON	2
17	100130	'O' RING BEUNA NITRIAL	2
16	100012	COVERED WASHER 1"	2
15	503623	SCOUT ARMREST ASSEMBLY RH	1
	503622	SCOUT ARMREST ASSEMBLY LH	1
14	100478	NYLON WASHER 1/4" X 3/4" X 1/8"	10
13	100172	LOCKNUT 1/4"-28 CAPPED NYLON	6
12	100025	NYLON WASHER 1/4" X 1/2"	2
11	100089	WASHER 1/4" AN-960-416	14
10	100065	COVERED WASHER 3/4"	6
9	100267	BOLT 1/4"-28 X 1-1/2" HEX HEAD	2
8	100150	BOLT 1/4"-28 X 1-3/4" HEX HEAD	2
7	100306	GRIP FEATHER 7/8" BLACK	2
6	100003	TUBE END 7/8" ROUND	2
5	100013	NYLON WASHER 1/4" X 11/16"	10
4	503371	SC-18 ANATOMIC HANDLE TUBE	2
3	502913	CX-18 SEAT SUPPORT	1
2	503355	SC-18 REAR FRAME ASSEMBLY	1
1	502906	CX-18 FRONT FRAME ASSEMBLY	1
ITEM	PART NUMBER	DESCRIPTION	QTY

UNLESS OTHERWISE SPECIFIED DIMENSIONS ARE IN INCHES DECIMALS

FRACTIONS ± 1/16 ANGLES ± 1° DO NOT SCALE DRAWING

APPROVAL: ERMIN N. 06/25/02 DATE: 06/25/02
 CHECKED: BA 7/9/02 DATE: 7/9/02
 APPROVED: EN 7-9-02 DATE: 7-9-02

SCALE: NONE PRODUCT: SC-18 SHEET: 1 OF 3

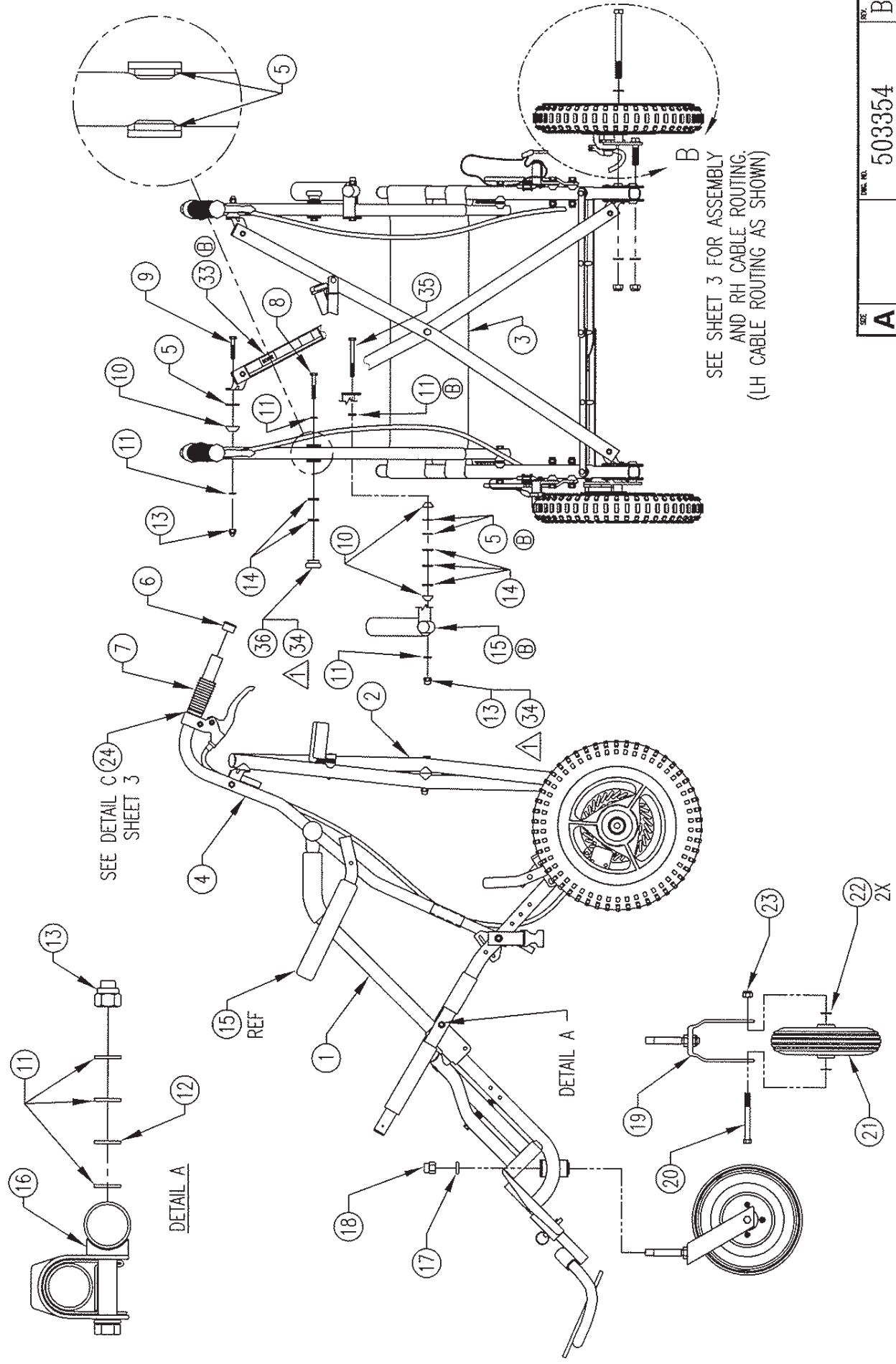
CONVAID P.O. BOX 4209 PALOS VERDES, CA 90274 USA

SC-18 FRAME ASSEMBLY

503354

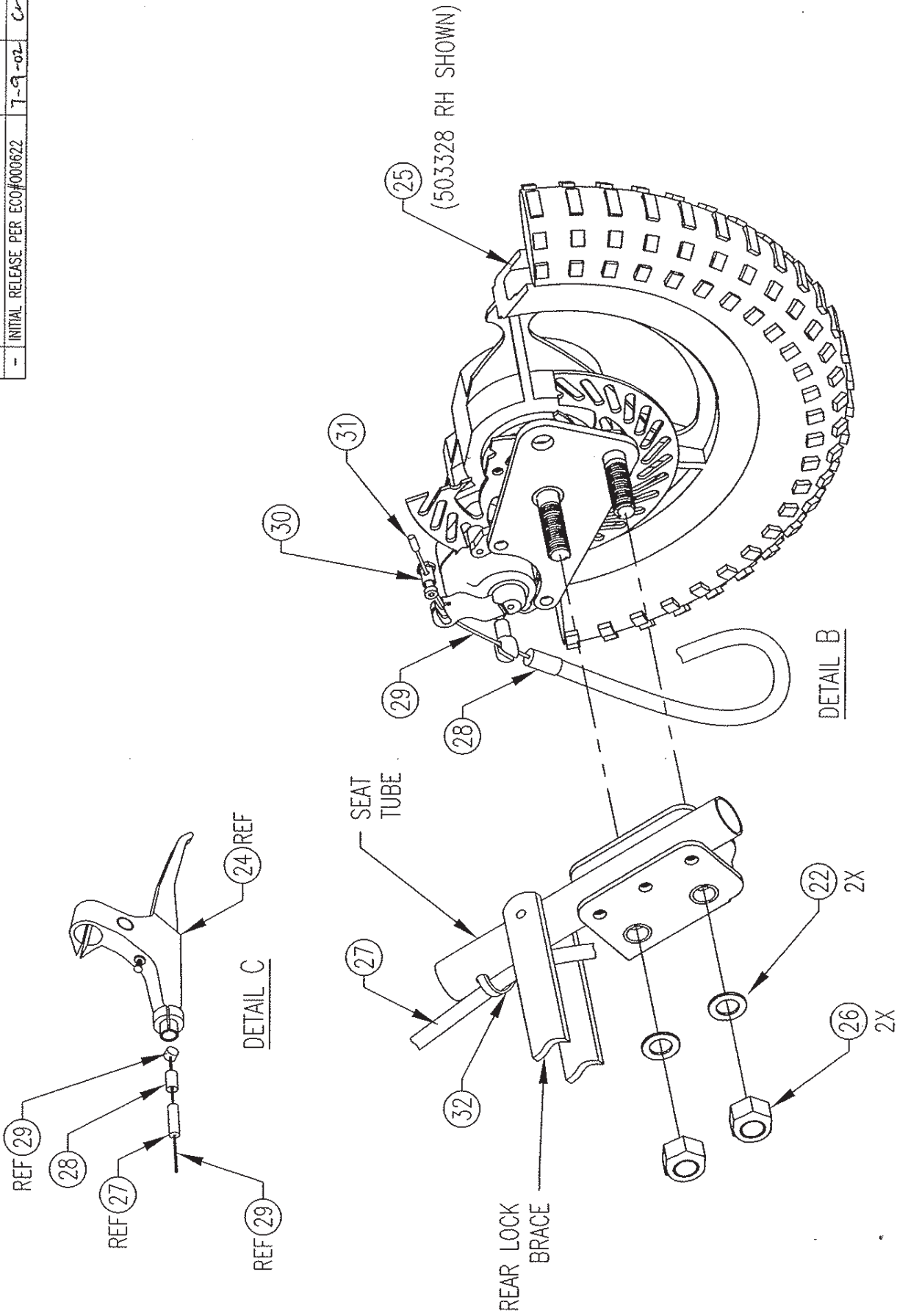
▲ APPLY THREAD LOCKER (BLUE) ON LOCKNUT (100172) & KNOB (100224)
 NOTES: UNLESS OTHERWISE SPECIFIED.

REV	DESCRIPTION	DATE	APPROVED
-	INITIAL RELEASE PER ECO#000622	7/9/02	EN
A	MODIFIED HARDWARE	9/17/03	EN
B	MODIFIED PER CLASS III REV	10/11/04	EN



SEE	REV.
A	B
FIG. NO.	503354
SIZE	1/10
PRODUCT	SC-18
SHEET	2 OF 3

REVISION			
REV	DESCRIPTION	DATE	APPROVED
-	INITIAL RELEASE PER ECO#000622	7-9-02	<i>cm</i>



NOTES: UNLESS OTHERWISE SPECIFIED.

SIZE	DWG. NO.	REV.
A	503354	-
SCALE	PRODUCT	SHEET
NONE	SC-18	3 OF 3

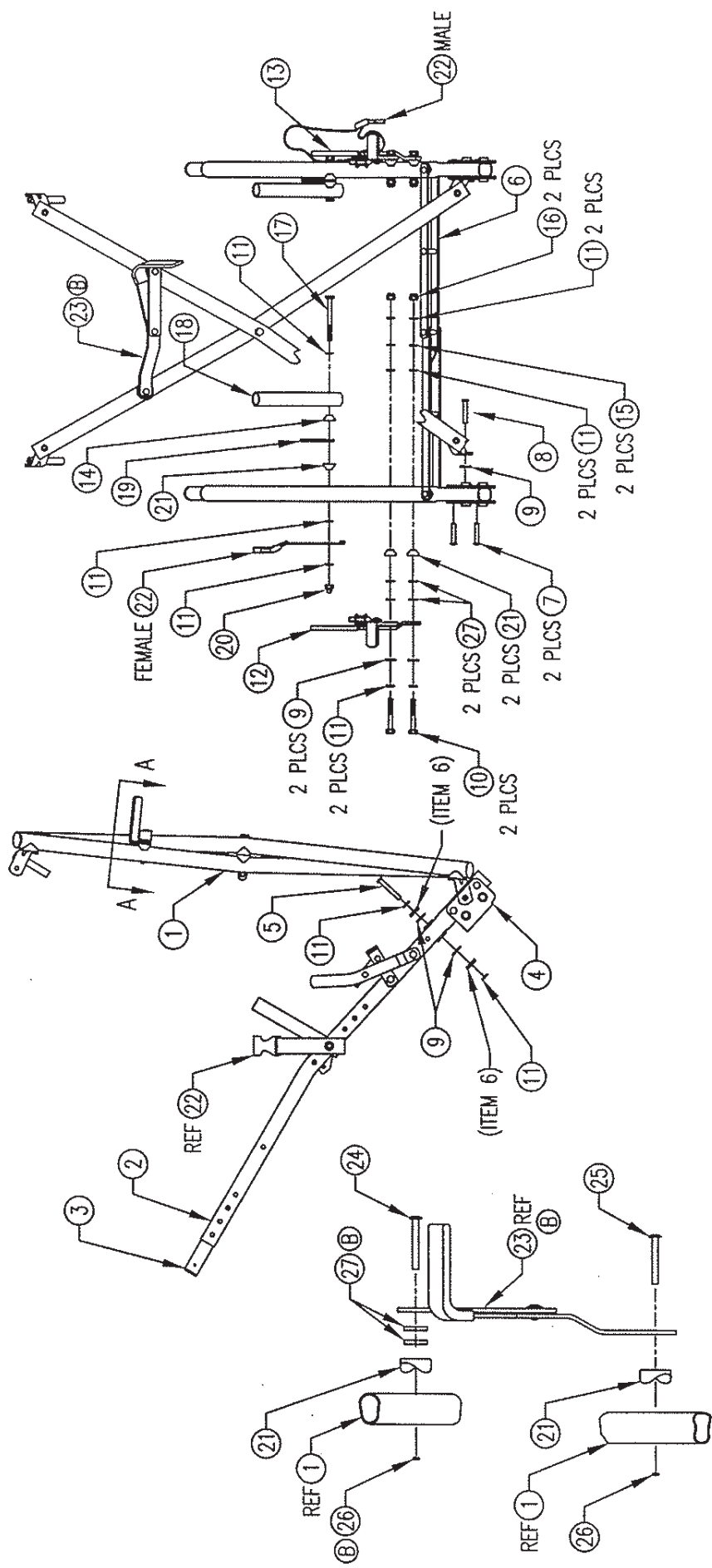
REVISION			
REV	DESCRIPTION	DATE	APPROVED
-	INITIAL RELEASE PER ECO#000622	7-9-02	EN
A	MODIFIED HARDWARE	9/17/03	EN
B	REMOVED PER ECO#000811	3/22/04	W

PARTS LIST			
ITEM	PART NUMBER	DESCRIPTION	QTY
1	503370	SC-18 REAR X BRACE ASSEMBLY	1
2	502923	CX-18 SEAT TUBE	2
3	502943	CX-18 SEAT TUBE EXTENSION ASSY	2
4	500182	AXLE BRACKET	2
5	100174	RIVET 1/4" X 1-3/4" S/T STEEL	2
6	502910	CX-18 REAR LOCK ASSEMBLY	1
7	100209	RIVET 1/4" X 1-1/4" S/T ZINC	4
8	100151	RIVET 1/4" X 1-7/16" S/T STEEL	2
9	100013	NYLON WASHER 1/4" X 11/16"	10
10	100230	BOLT 1/4"-28 X 2" HEX HEAD	4
11	100089	WASHER 1/4" AN-960-416	22
12	500308	HAND TOGGLE BRAKE ASSEMBLY LONG LH	1
13	500309	HAND TOGGLE BRAKE ASSEMBLY LONG RH	1
14	100065	COVER WASHER 3/4"	2
15	100025	NYLON WASHER 1/4" X 1/2"	4
16	100045	LOCKNUT 1/4"-28 FLEXLOCK BLACK ZINC	4
17	100024	BOLT 1/4"-28 X 2-3/4" HEX HEAD	2
18	502182	CX-14A TELESCOPING TUBE	2
19	500083	FOOTSTRAP BRACKET	2
20	100172	LOCKNUT 1/4"-28 CAPPED NYLON	2
21	100012	COVER WASHER - 1"	8
22	502096	CLOSING STRAP ASSEMBLY	1
23	504643	CX-18 UPPER LOCK ASSEMBLY	1
24	100121	RIVET 3/16" X 1-5/8" S/T STEEL	1
25	100131	RIVET 3/16" X 1-1/2" S/T STEEL	1
26	100120	BACK UP WASHER 3/16"	2
27	100478	NYLON WASHER 1/4" X 3/4" X 1/8"	10

UNLESS OTHERWISE SPECIFIED DIMENSIONS ARE IN INCHES TOLERANCES ARE: DECIMALS X ± .06 XX ± .03 XXX ± .010 FRACTIONS ± 1/16 ANGLES ± 1° DO NOT SCALE DRAWING		Convoid P.O. BOX 4209 Palos Verdes, CA 90274 USA	
APPROVAL	DATE	SIZE	REV.
ERMIN N.	06/25/02	A	B
BA	7/9/02	503355	
EN	7-9-02	SC-18	1 OF 2

NOTES: UNLESS OTHERWISE SPECIFIED.

REVISION			
REV	DESCRIPTION	DATE	APPROVED
-	INITIAL RELEASE PER ECO#000622	7-9-02	EN
A	MODIFIED HARDWARE	9/17/03	EN
B	REVISED PER ECO#000811	3/22/04	<i>[Signature]</i>

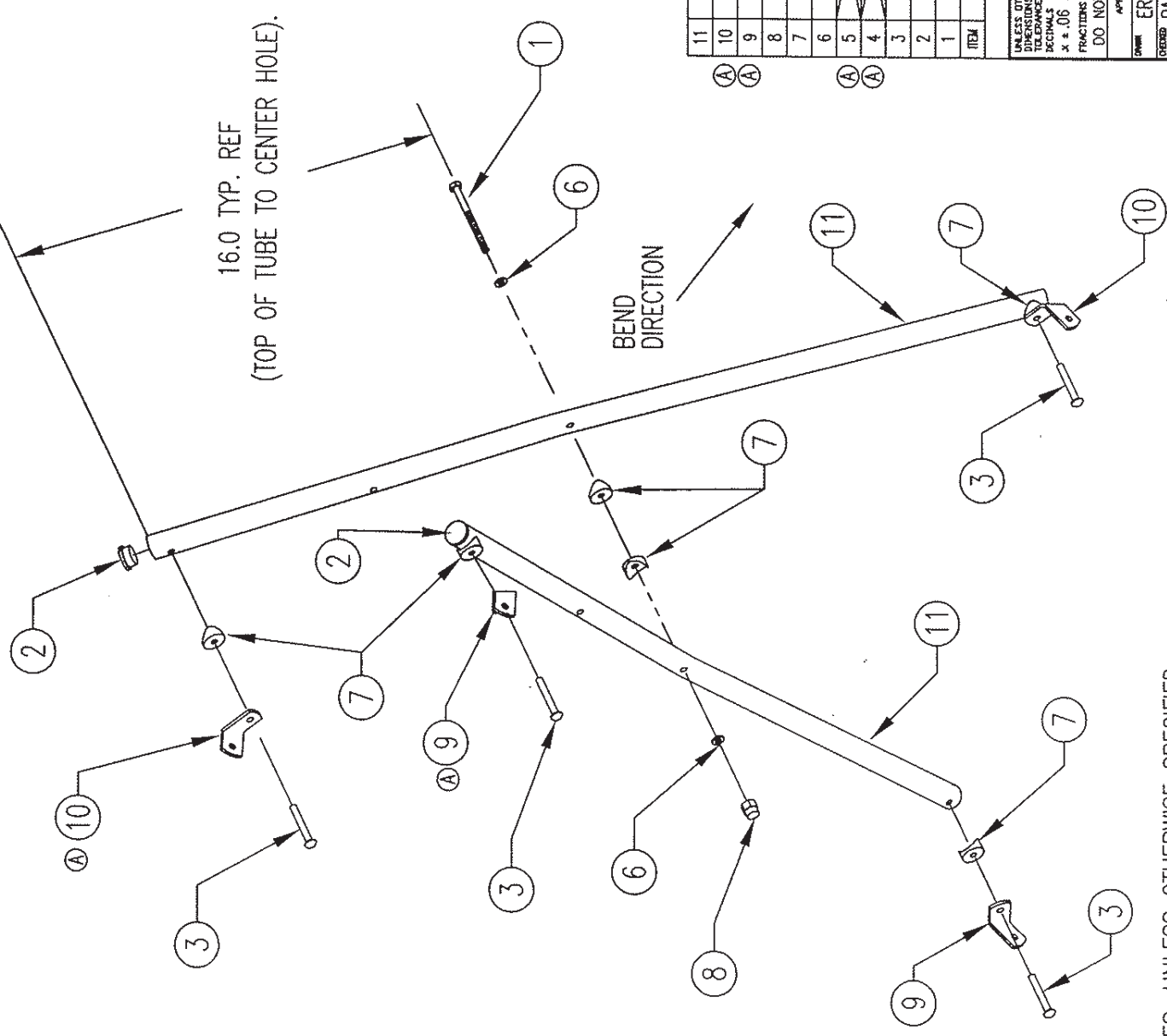


SECTION A-A
SCALE: NONE

NOTES: UNLESS OTHERWISE SPECIFIED.

SIZE	DWG. NO.	SHEET	OF
A	503355	2	2
SCALE	1/10	PRODUCT	SC-18

REVISION		
REV	DESCRIPTION	DATE
-	INITIAL RELEASE PER ECO#000622	7-9-02
A	REVISED PER ECO#000830	11/17/04



ITEM	PART NUMBER	DESCRIPTION	QTY
11	502925	CX-18 REAR X TUBE	2
10	500017	CLEAT RH	2
9	500016	CLEAT LH	2
8	100172	LOCKNUT 1/4"-28 CAPPED NYLON	1
7	100012	COVERED WASHER 1"	6
6	100025	NYLON WASHER 1/4" X 1/2"	2
5			
4			
3	100030	RIVET 1/4" X 1-3/8" S/T STEEL	4
2	100001	TUBE END 1" ROUND	2
1	100024	BOLT 1/4"-28 X 2-3/4" HEX HEAD	1

UNLESS OTHERWISE SPECIFIED DIMENSIONS ARE IN INCHES DECIMALS x .06 FRACTIONS 1/16 ANGLES ± 1° DO NOT SCALE DRAWING

APPROVAL: ERMIN N. 6/25/02
 DESIGNED: BA 7/9/02
 APPROVED: EN 7-9-02

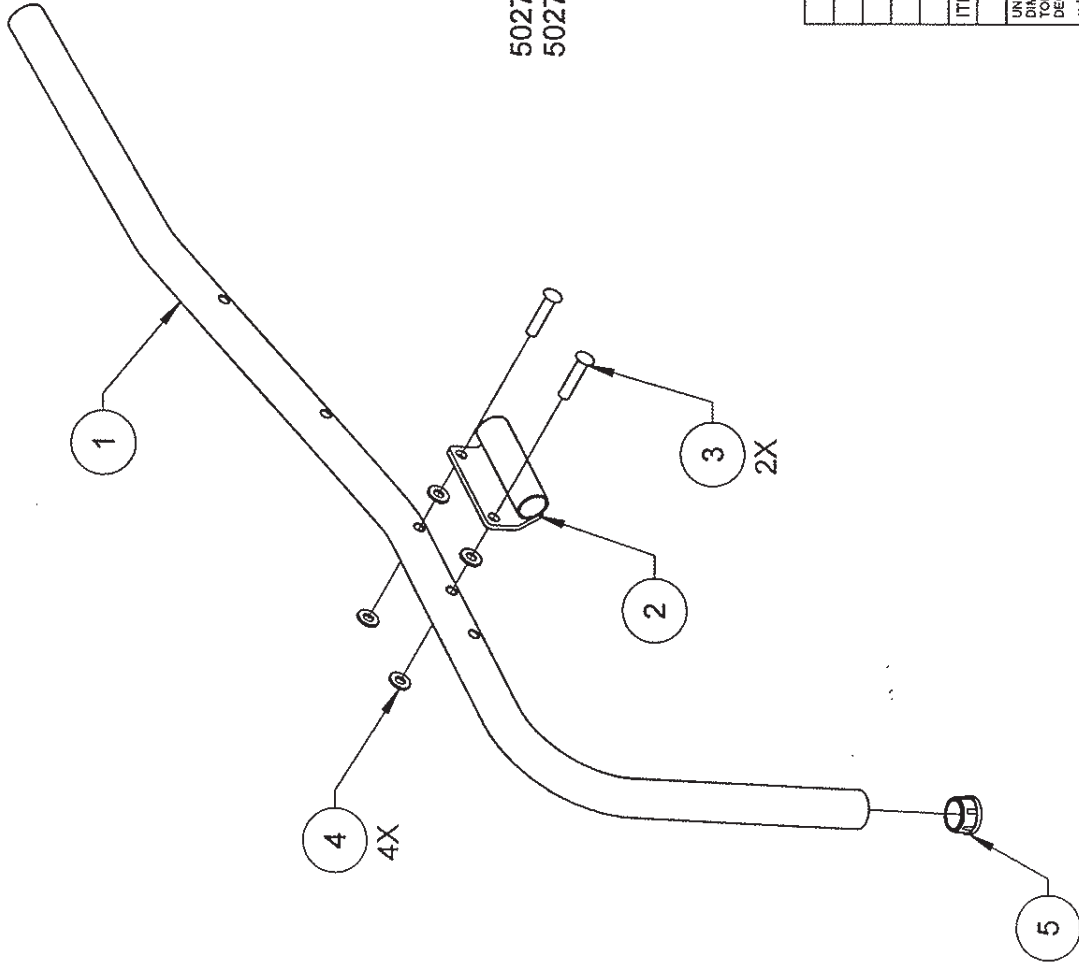
CONVAID P.O. BOX 4209
 POLOS VERDES, CA 90274 USA

TITLE: SC-18 REAR X BRACE ASSY

REV: A
 DWG. NO.: 503370
 SHEET: 1 OF 1

NOTES: UNLESS OTHERWISE SPECIFIED.

REVISION		
REV	DESCRIPTION	DATE
-	INITIAL RELEASE PER ECO#000848	9/29/04
		APPROVED <i>[Signature]</i>



ITEM	PART NUMBER	DESCRIPTION	QTY
5	100003	TUBE END 7/8" ROUND	1
4	100089	WASHER 1/4" AN-960-416	4
3	100096	RIVET 1/4" X 1-3/16" S/T	2
2	502778	SCOUT HEADREST MOUNT	1
1	503371	SC-18 ANATOMICAL HANDLE TUBE	1

UNLESS OTHERWISE SPECIFIED
DIMENSIONS ARE IN INCHES
TOLERANCES ARE:
x ± .06 .xx ± .03 .xxx ± .010
FRACTIONS ± 1/16 ANGLES ± 1

APPROVAL DATE

DRAWN M. TAGUJA 9/17/2004

CHECKED *[Signature]* 9/29/04

APPROVED *[Signature]* 9/29/04

SCALE NTS | PRODUCT SC-18

Convoid P.O. Box 4209
Palos Verdes, CA 90274, USA

TITLE
SC-18 ANATOMICAL HANDLE
TUBE ASSY

DWG NO 502794/5

REV -

SHEET 1 OF 1

NOTES: UNLESS OTHERWISE SPECIFIED.