

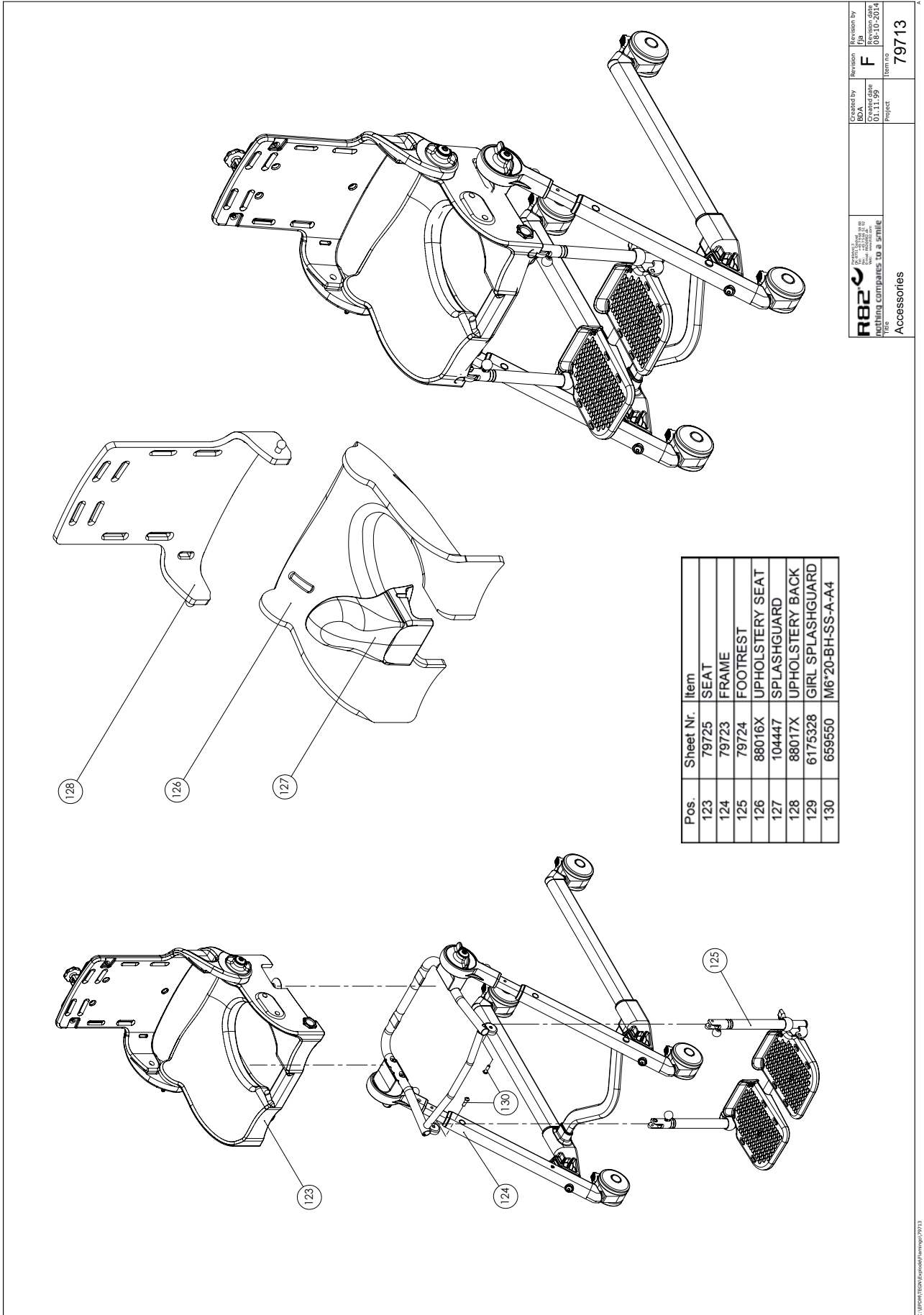
Flamingo

Vues éclatées - Pièces détachées




Sommaire :

Flamingo Tailles 1, 2, 3 et 4.....	3
Siège.....	5
Cadre.....	7
Repose-pieds.....	10
Accessoires.....	12

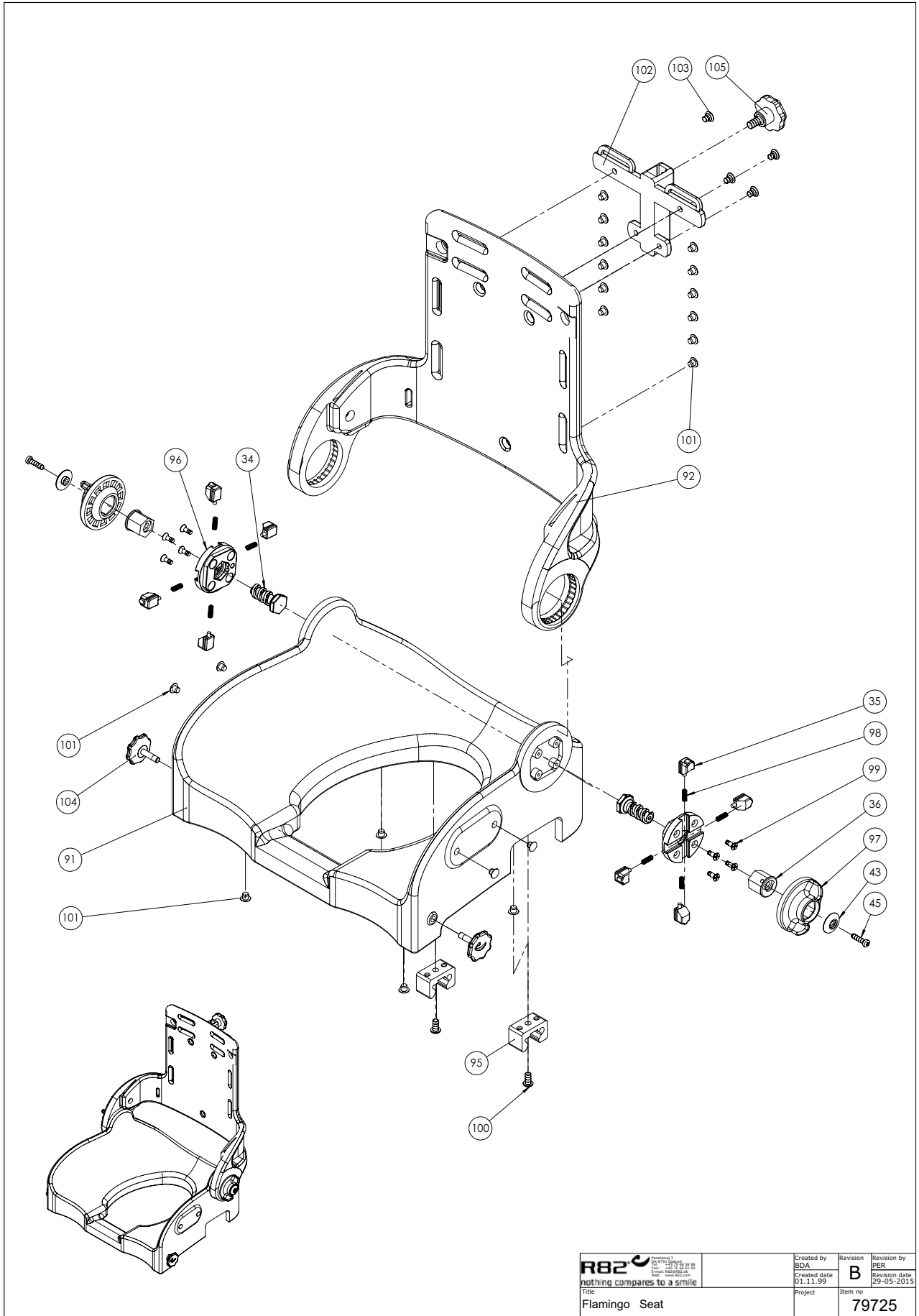


Pos.	Sheet Nr.	Item
123	79725	SEAT
124	79723	FRAME
125	79724	FOOTREST
126	88016X	UPHOLSTERY SEAT
127	104447	SPLASHGUARD
128	88017X	UPHOLSTERY BACK
129	6175328	GIRL SPLASHGUARD
130	659550	M6*20-BH-SS-A4

 R82 nothing compares to a smile Title: Accessories	Created by: Created date: Project:	Revision: F Item no: 79713	Revision by: Revision date: 08-10-2014
---	--	-------------------------------------	--

Position	No.	Description	Quantity	Unit of Measure	Ean code
123*	880101	FLAMINGO SEAT&BACK, SIZE 1	1	PCS	5707292134172
	880102	FLAMINGO SEAT&BACK, SIZE 2	1	PCS	5707292134189
	880103	FLAMINGO SEAT&BACK, SIZE 3	1	PCS	5707292134196
	880104	FLAMINGO SEAT&BACK, SIZE 4	1	PCS	5707292134202
124*	880201	FLAMINGO FRAME, SIZE 1	1	PCS	5707292134578
	880202	FLAMINGO FRAME, SIZE 2	1	PCS	5707292134585
	880203	FLAMINGO FRAME, SIZE 3	1	PCS	5707292134592
	880204	FLAMINGO FRAME, SIZE 4	1	PCS	5707292134608
125*	880211	FLAMINGO FOOTREST SIZE 1	1	PCS	5707292134615
	880212	FLAMINGO FOOTREST SIZE 2	1	PCS	5707292134622
	880213	FLAMINGO FOOTREST SIZE 3	1	PCS	5707292134639
	880214	FLAMINGO FOOTREST SIZE 4	1	PCS	5707292134646
126*	880161	UPHOLSTERY FLAMINGO SEAT SZ.1	1	PCS	5707292134417
	880162	UPHOLSTERY FLAMINGO SEAT SZ.2	1	PCS	5707292134424
	880163	UPHOLSTERY FLAMINGO SEAT SZ.3	1	PCS	5707292134431
	880164	UPHOLSTERY FLAMINGO SEAT SZ.4	1	PCS	5707292134448
127*	880191	SPLASHGUARD, HIGH, SIZE 1	1	PCS	5707292134530
	880192	SPLASHGUARD, HIGH, SIZE 2-4	1	PCS	5707292134547
128*	880171	UPHOLSTERY FLAMINGO BACK SZ.1	1	PCS	5707292134455
	880172	UPHOLSTERY FLAMINGO BACK SZ.2	1	PCS	5707292134462
	880173	UPHOLSTERY FLAMINGO BACK SZ.3	1	PCS	5707292134479
	880174	UPHOLSTERY FLAMINGO BACK SZ.4	1	PCS	5707292134486

*		CHOOSE SIZE
---	--	-------------



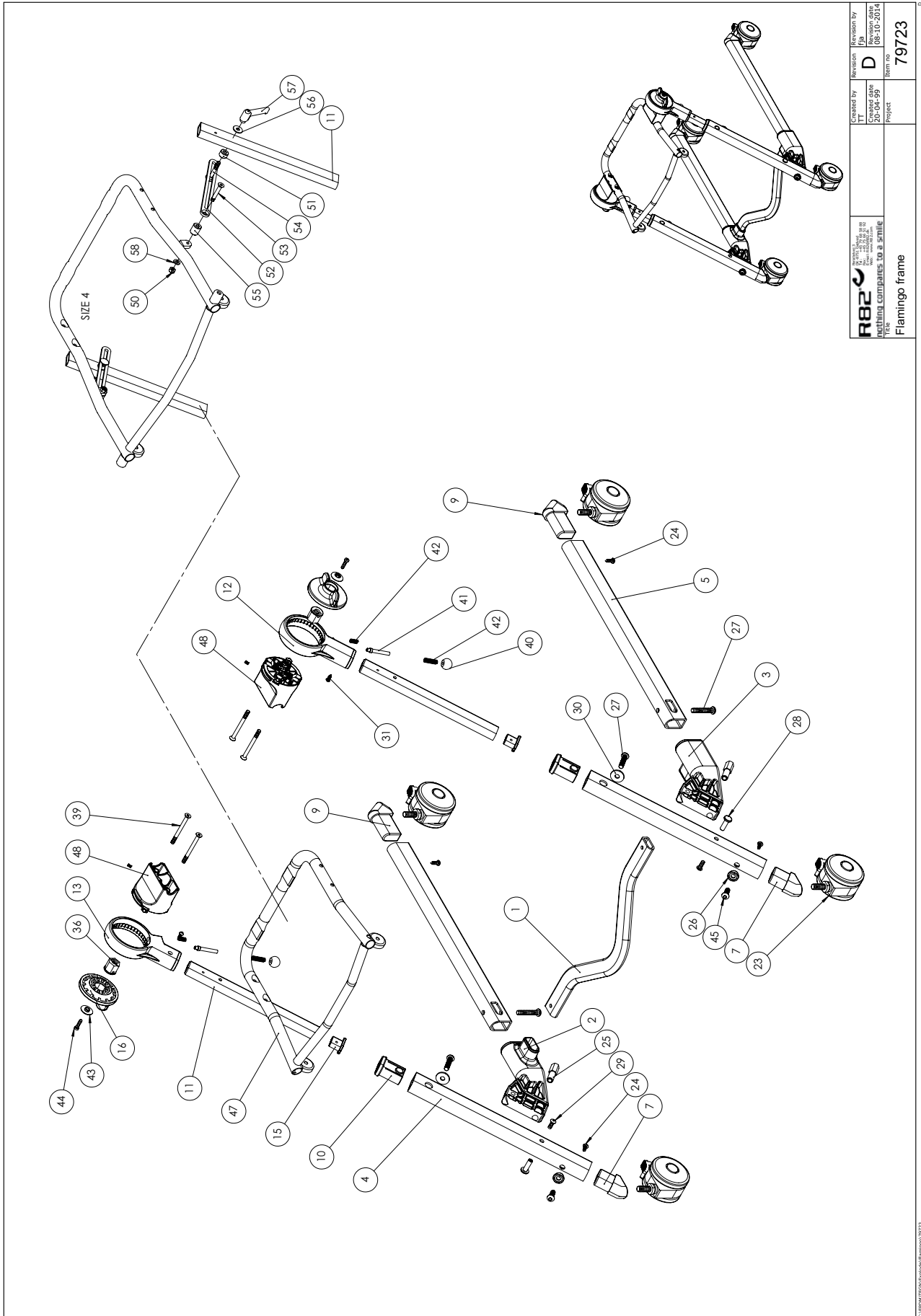
 <small> R82 A/S Parallelvej 3 8751 Gedved Denmark </small>	<small> Created by BDA </small>	<small> Revision B </small>	<small> Revision by PER </small>
	<small> Created date 01.11.99 </small>	<small> Revision date 29-05-2015 </small>	<small> Project Flamingo Seat </small>

C:\EROM\TECH\Explode\Flamingo\79725

401

Position	No.	Description	Quantity	Unit of Measure	Ean code
34	71136	THREAD SPINDLE, FLAMINGO	1	PCS	5707292104410
35	71133	T-FLANGE, FLAMINGO	4	PCS	5707292104380
36	71128	THREAD NUT FOR ANGLE ADJ.	2	PCS	5707292104359
43	71164	KNOB Ø23, 5 FOR HANDLE	2	PCS	5707292104540
45	1811112	SHEET METAL SCREW 4,8*19 PHX	2	PCS	5707292452184
91*	71302	FLAMINGO SEAT SHELL, SIZE 1	1	PCS	5707292104984
	71303	FLAMINGO SEAT SHELL, SIZE 2	1	PCS	5707292104991
	71304	FLAMINGO SEAT SHELL, SIZE 3	1	PCS	5707292105004
	71305	FLAMINGO SEAT SHELL, SIZE 4	1	PCS	5707292105011
92*	71312	FLAMINGO BACK SHELL, SIZE 1	1	PCS	5707292105028
	71313	FLAMINGO BACK SHELL, SIZE 2	1	PCS	5707292105035
	71314	FLAMINGO BACK SHELL, SIZE 3	1	PCS	5707292105042
	71315	FLAMINGO BACK SHELL, SIZE 4	1	PCS	5707292105059
95	102429	SEATLOCK FOR FLAMINGO	2	PCS	5707292562036
96	71146	T-FLANGE, FLAMINGO	1	PCS	5707292104434
97	71144	HAND WHEEL, FLAMINGO	2	PCS	5707292104427
98	0310124	RF.SPRING 0.5*5.2*11MM	4	PCS	5707292135568
99	1940038	ECO-SYN UH Ø4*14	8	PCS	5707292465597
100	0659200	BUTTON HEAD SCREW 6*12 STAINL.	2	PCS	5707292139436
101	1310536	COVERING BUTTON,WHITE 13*5,0MM	12	PCS	5707292397911
102	81138-90	MOUNTING FOR NECK SUPPORT	1	PCS	5707292227157
103	0609727	STAINLESS INSEX 6*12 UH	4	PCS	5707292138484
104	112708	KNOB FOR SEAT M6X23	2	PCS	5707292604286
105	3501050	STAR GRAP Ø40 M8*15MM WHITE	1	PCS	5707292146717

*		CHOOSE SIZE
---	--	-------------



 R82 A/S Industrivej 28 8260 Viby Denmark	Created by	Revision by	Revision
	TT	DT	D
	Created date	Revision date	
	20-04-99	08-10-2014	
	Project	Item no.	
		79723	

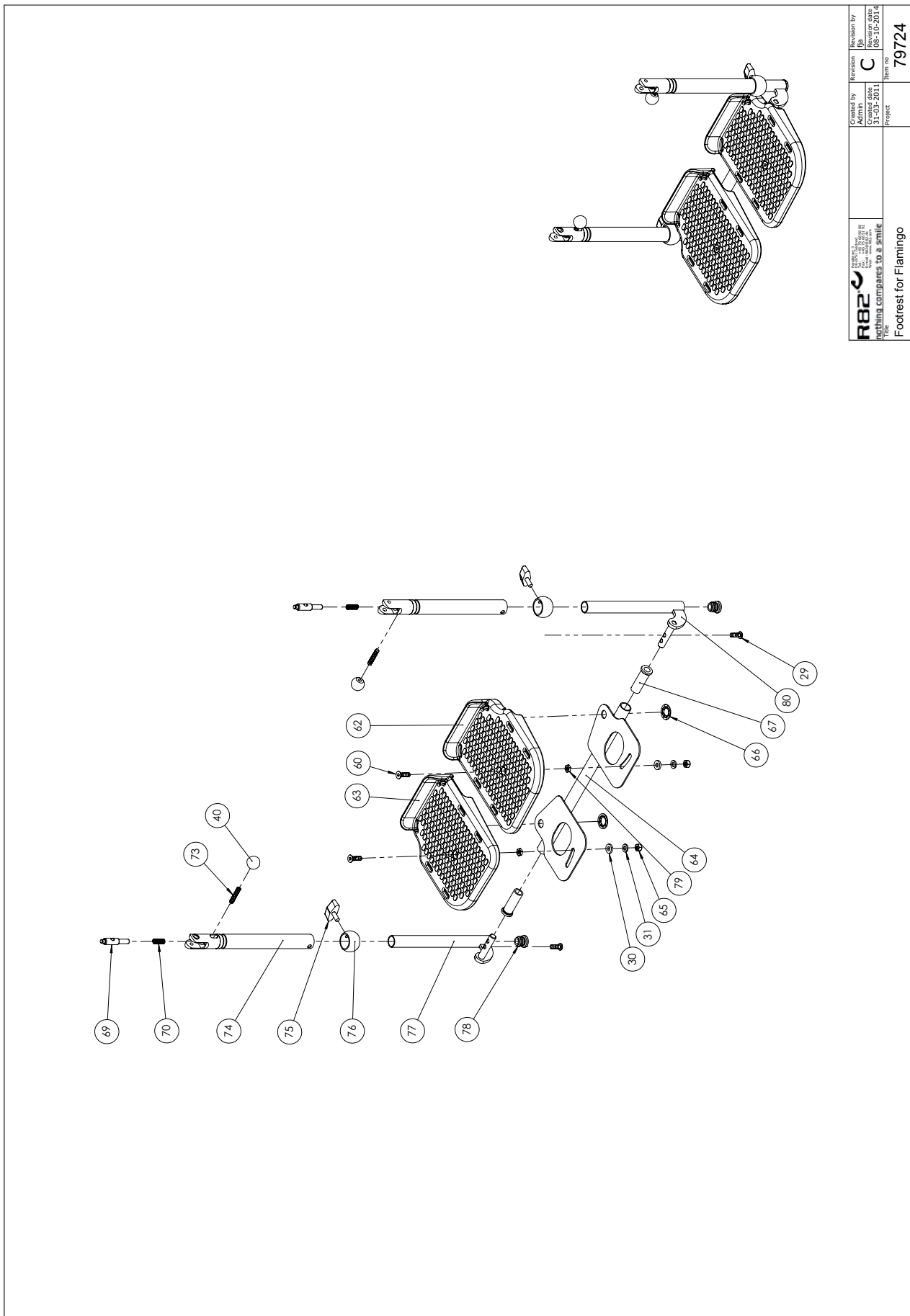
Flamingo frame

© UPMVECHEN, Borsdorf (Germany) 19923

Position	No.	Description	Quantity	Unit of Measure	Ean code
1*	71352	DISTANCE BAR, FLAMINGO SIZE 1	1	PCS	5707292105264
	71353	DISTANCE BAR, FLAMINGO SIZE 2	1	PCS	5707292105271
	71354	DISTANCE BAR, FLAMINGO SIZE 3	1	PCS	5707292105288
	71355	DISTANCE BAR, FLAMINGO SIZE 4	1	PCS	5707292105295
2	71141	TILTMOUNTING FLAMINGO, RIGHT	1	PCS	5707292411181
3	71142	TILTMOUNTING FLAMINGO, LEFT	1	PCS	5707292411198
4	71152	SIDEPIECE FOR HEIGHTADJUSTMENT	1	PCS	5707292104489
5	71151	SIDE PIECE, HORIZONTAL	1	PCS	5707292104472
7	71103	MOUNTING F/ FRONT WHEEL	1	PCS	5707292104106
9	71104	MOUNTING FOR RIGHT REAR WHEEL	1	PCS	5707292104113
10	71109	STEERING BUSH FOR HEIGHT ADJ.	1	PCS	5707292104168
11*	71153	BAR FOR HEIGHT ADJUSTMENT	1	PCS	5707292104496
	71154	BAR FOR HEIGHT ADJUSTMENT,SZ 4	1	PCS	5707292104502
12	71121	ROTATE HOUSE FOR ANGLING LEFT	1	PCS	5707292104281
13	71120	ROTATE HOUSE FOR ANGLING RIGHT	1	PCS	5707292104274
14	71125	BACKFLANGE W/T-TRACK, FLAMINGO	1	PCS	5707292104328
15	71108	FERRULE AND SLIDER, FLAMINGO	1	PCS	5707292104151
16	71129	HANDWHEEL O75, FLAMINGO	1	PCS	5707292104366
23	3006830	75MM WHITE STEINCO WHEEL	4	PCS	5707292368560
24	1811112	SHEET METAL SCREW 4,8*19 PHX	2	PCS	5707292452184
25	71162	M8 HEXAGON BUSH F.LEFT SIDEPCS	1	PCS	5707292104526
26	71110	WASHER PLASTIC WHITE, FLAMINGO	1	PCS	5707292104175
27	0663035	BUTTON HEAD M8*35, RUSTFRI	1	PCS	5707292139627
28	71161	M6 BUSH FOR SIDE PIECE	1	PCS	5707292104519
29	0659200	BUTTON HEAD SCREW 6*12 STAINL.	1	PCS	5707292139436
30	1310717	NYLON WASHER, NAT O17-8,4*2MM	1	PCS	5707292140821
31	1811105	SCREW 4.2*16UH, STAINLESS	2	PCS	5707292141699
32	71116	INLAY, LEFT TILT MOUNTING	1	PCS	5707292104236
33	71117	INLAY, RIGHT TILT MOUNTING	1	PCS	5707292104243
34	71135	THREAD SPINDLE, FLAMINGO	1	PCS	5707292104403
35	71133	T-FLANGE, FLAMINGO	4	PCS	5707292104380
36	71128	THREAD NUT FOR ANGLE ADJ.	1	PCS	5707292104359
37	0310126	SPRING 0,65*5,65*20MM*10V	4	PCS	5707292135582
38	1605000	STAINLESS NUT M6	2	PCS	5707292141316
39	0609745	INSEX 6*60, STAINLESS STEEL	4	PCS	5707292138538
40	3502008	KNOB HANDLE Ø20 M6	1	PCS	5707292146830
41	71163	PIN O8 FOR TILT MOUNTING	1	PCS	5707292104533
42	0310100	PRESSURESPRING 25 MM F.SPINDEL	1	PCS	5707292135513
43	71164	KNOB Ø23, 5 FOR HANDLE	1	PCS	5707292104540
44	1811112	SHEET METAL SCREW 4,8*19 PHX	1	PCS	5707292452184
45	0662500	BUTTON HEAD SCREW 8*25 STAINL.	1	PCS	5707292139580
46	3501870	WHITE COVERING PLUG, FLAMINGO	2	PCS	5707292146793
47*	71362	SEAT FRAME SIZE 1, COMPLETE	1	PCS	5707292105349
	71363	SEAT FRAME SIZE 2, COMPLETE	1	PCS	5707292105356
	71364	SEATFRAME SIZE 3, COMPLETE	1	PCS	5707292105363
	71365	SEAT FRAME 4, COMPLETE	1	PCS	5707292105370
50	1631060	STAINLESS LOCK NUT 6MM	2	PCS	5707292141446
51	71349	DISTANCE BUSH	2	PCS	5707292105240
52	71348	SUPPORT ROD FOR TILT, FLAMINGO	2	PCS	5707292105233

53	0609740	INSEX 6*40, STAINLESS	2	PCS	5707292376879
54	1905375	BOLT M6*35, STAINLESS W/O NUT	2	PCS	5707292142269
55	71350	DISTANCE BUSH	2	PCS	5707292105257
56	1130600	STAINLESS WASHER 6MM	2	PCS	5707292140517
57	3502400	TIGHTENING HANDLE 42MM M6 BUSH	2	PCS	5707292146892
58	1105060	STAINLESS WASHER 6MM	2	PCS	5707292140357

*		CHOOSE SIZE			
---	--	-------------	--	--	--

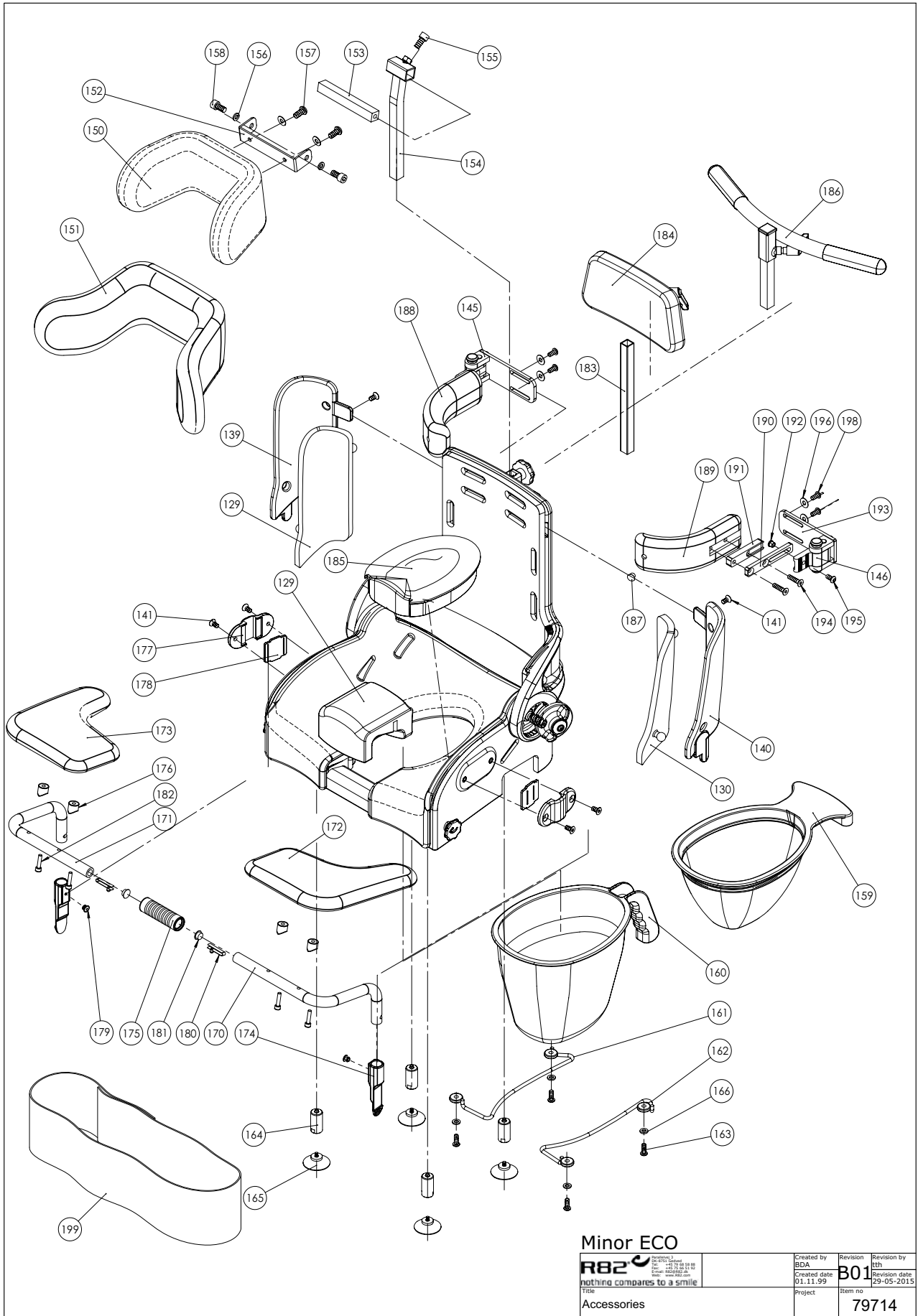


R82 PARTS & SERVICE THE BEST IN THE BUSINESS FOR OVER 50 YEARS HELPING COMPANIES TO SUCCEED Project	Created by Admin Created date 31-03-2011	Revision by JBA Revision date 08-10-2014	Revision C	Item no. 79724
	Project Footrest for Flamingo			

C:\UPP\TECH\FLAMINGO\ITEM\79724

Position	No.	Description	Quantity	Unit of Measure	Ean code
30	1310717	NYLON WASHER, NAT O17-8,4*2MM	2	PCS	5707292140821
40	3502008	KNOB HANDLE Ø20 M6	2	PCS	5707292146830
60	0609732	INSEX 6*22, STAINLESS	2	PCS	5707292409669
62*	71207	FOOTPLATE LEFT, FLAM. SZ 1-2	1	PCS	5707292104625
	71209	FOOTPLATE LEFT, FLAM. SZ 3-4	1	PCS	5707292104649
63*	71208	FOOTPLATE RIGHT, FLAM. SZ 1-2	1	PCS	5707292104632
	71210	FOOTPLATE RIGHT, FLAM. SZ 3-4	1	PCS	5707292104656
64*	71282	FOOTPLATE INLAY FLAM. SIZE 1	1	PCS	5707292104816
	71283	FOOTPLATE INLAY FLAM. SIZE 2	1	PCS	5707292104823
	71284	FOOTPLATE INLAY FLAM. SIZE 3	1	PCS	5707292104830
	71285	FOOTPLATE INLAY FLAM. SIZE 4	1	PCS	5707292104847
65	1631060	STAINLESS LOCK NUT 6MM	2	PCS	5707292141446
66	1109000	STARLOCK SKIVE M12, U/KAP, RF.	2	PCS	5707292140432
67	71119	FICTIONBUSH FOR FLAMINGO	2	PCS	5707292104267
69	71123	LOCK RATCHET	2	PCS	5707292104304
70	0310147	STAINLESS SPRING1*9,3*20MM*7,5	2	PCS	5707292135636
73	0806030	STAINLESS STOP SCREW 6*30MM	2	PCS	5707292140029
74*	71242	TELESCOPIC PIPE SZ. 1	2	PCS	5707292104687
	71243	TELESCOPIC PIPE SZ. 2-4	2	PCS	5707292104694
75	3503210	FINGER SCREW,WHITE M6X6	2	PCS	5707292147004
76	71118	BUSHING Ø22-18 FLAM.	2	PCS	5707292104250
77*	71272	TELESCOPE EXTENSION LEFT, SZ 1	1	PCS	5707292104755
	71273	TELESCOPE ARM LEFT 2	1	PCS	5707292104762
	71274	TELESCOPE EXT. LEFT, SZ 3+4	1	PCS	5707292104779
78	2502005	FERRULE D18*1,0-2,0 INT.WHITE	2	PCS	5707292144010
79	1750600	LOCK NUT, STAINLESS M6	2	PCS	5707292141477
80*	71277	TELESCOPE EXTENSION RIGHT	1	PCS	5707292104786
	71278	TELESCOPE EXTENSION RIGHT,SZ 2	1	PCS	5707292104793
	71279	TELESCOPE EXTENSION RIGHT,SZ3	1	PCS	5707292104809

*		CHOOSE SIZE
---	--	-------------



Minor ECO

 nothing compares to a smile	Created by BDA	Revision B01	Revision by lth
	Created date 01.11.99	Revision date 29-05-2015	
Title Accessories	Project	Item no. 79714	

C:\EPOH\TEGM\Explode\Flamingo\79714

Position	Art. No.	Description	Unit of Measure	Quantity	Ean code
129*	6175325	CUSHION, BACK SIDE SIZE 1, RIGHT	PCS	1	5707292189523
	6175335	CUSHION, BACK SIDE SIZE 2, RIGHT	PCS	1	5707292189585
	6175345	CUSHION, BACK SIDE SIZE 3, RIGHT	PCS	1	5707292189639
	6175357	CUSHION, BACK SIDE SIZE 4, RIGHT	PCS	1	5707292189684
130*	6175327	CUSHION, BACK SIDE SIZE 1, LEFT	PCS	1	5707292189530
	6175337	CUSHION, BACK SIDE SIZE 2, LEFT	PCS	1	5707292189592
	6175347	CUSHION, BACK SIDE SIZE 3, LEFT	PCS	1	5707292189646
	6175355	CUSHION, BACK SIDE SIZE 4, LEFT	PCS	1	5707292189677
139*	71322	BACK SIDE 1, RIGHT, FLAMINGO	PCS	1	5707292105066
	71323	BACK SIDE 2, RIGHT, FLAMINGO	PCS	1	5707292105073
	71324	BACK SIDE 3, RIGHT, FLAMINGO	PCS	1	5707292105080
	71325	BACK SIDE 4, RIGHT, FLAMINGO	PCS	1	5707292105097
140*	71332	BACK SIDE 1, LEFT, FLAMINGO	PCS	1	5707292105103
	71333	BACK SIDE 2, LEFT, FLAMINGO	PCS	1	5707292105110
	71334	BACK SIDE 3, LEFT, FLAMINGO	PCS	1	5707292105127
	71335	BACK SIDE 4, LEFT, FLAMINGO	PCS	1	5707292105134
141	0609727	STAINLESS INSEX 6*12 UH	PCS	2	5707292138484
145	5982560-R	SIDESUPPORT 118*42,5MM, RIGHT	PCS	1	5707292396082
146	5982560-L	SIDESUPPORT 118*42,5MM, LEFT	PCS	1	5707292396020
160*	880128	PAN SIZE 1 AND 2, FLAMINGO	PCS	1	5707292134301
	880129	PAN SIZE 3 AND 4, FLAMINGO	PCS	1	5707292134318
161*	71338	COMMODE PAN HOLDER, LEFT, SIZE 1	PCS	1	5707292105141
	71340	COMMODE PAN HOLDER, LEFT, SIZE 2	PCS	1	5707292105165
	71342	COMMODE PAN HOLDER, LEFT, SIZE 3	PCS	1	5707292105189
	71344	COMMODE PAN HOLDER, LEFT, SIZE 4	PCS	1	5707292105202
162*	71339	COMMODE PAN HOLDER, RIGHT, SIZE 1	PCS	1	5707292105158
	71341	COMMODE PAN HOLDER, RIGHT, SIZE 2	PCS	1	5707292105172
	71343	COMMODE PAN HOLDER, RIGHT, SIZE 3	PCS	1	5707292105196
	71345	COMMODE PAN HOLDER, RIGHT, SIZE 4	PCS	1	5707292105219
163	0659200	BUTTON HEAD SCREW 6*12 STAINL.	PCS	4	5707292139436
164	71134	DISTANCEPART FOR SUCTION CUP	PCS	4	5707292104397
165	2522015	SUCTION CUP Ø80MM M6*12MM	PCS	4	5707292144461
166	1105060	STAINLESS WASHER 6MM	PCS	4	5707292140357
170*	71371	SUPPORT ROD, SIZE 1, LEFT	PCS	1	5707292105394
	71373	SUPPORT ROD, SIZE 2, LEFT	PCS	1	5707292105417
	71367	SUPPORT ROD, SIZE 3, LEFT	PCS	1	5707292436771
	71369	SUPPORT ROD, SIZE 4, LEFT	PCS	1	5707292436757
171*	71370	SUPPORT ROD, SIZE 1, RIGHT	PCS	1	5707292105387
	71372	SUPPORT ROD, SIZE 2, RIGHT	PCS	1	5707292105400
	71366	SUPPORT ROD, SIZE 3, RIGHT	PCS	1	5707292436764
	71368	SUPPORT ROD, SIZE 4, RIGHT	PCS	1	5707292436740
172*	6175361	ARM SUPPORT, LEFT, SIZE 1+2	PCS	1	5707292189707
	6175365	ARM SUPPORT, LEFT, SIZE 3+4	PCS	1	5707292189721
173*	6175359	ARM SUPPORT, RIGHT, SIZE 1+2	PCS	1	5707292189691
	6175363	ARM SUPPORT, RIGHT, SIZE 3+4	PCS	1	5707292189714
174	71130-90	BUSHING, WHITE	PCS	2	5707292223593
175	71132	LOCKING SOCKET, WHITE	PCS	1	5707292104373
176	3008800	TUBE HOLDER FOR FLAMINGO	PCS	4	5707292146168

177	72134-90	MOUNTING FOR ARMREST, WHITE	PCS	2	5707292223760
178	82408-90	UNDERLAYING PLATE ARMREST FLAM	PCS	2	5707292231482
179	0506511	STAINLESS RIVET 4*7 MM	PCS	2	5707292351647
180	6153700	KNOB SPRING F.ACTIVITY CENTRE	PCS	2	5707292188601
181	1310544	AFDÆKN.KNAP,NATUR Ø14,5*10,7MM	PCS	2	5707292398239
187	2502519	RØRBEN GRÅ INDV. Ø 16 MM	PCS	2	5707292394415
190	82569	BAR,STRAIGHT,STAINLESS, 9,5CM	PCS	2	5707292124869
191	82570	PLASTIC SPACER FOR FLAMINGO	PCS	2	5707292124876
192	82558	NUT 6X16	PCS	2	5707292124753
194	0609730	RUSTFRI INSEX 6*20 UH.	PCS	4	5707292138507
195	0659200	BUTTON HEAD SCREW 6*12 STAINL.	PCS	2	5707292139436
188+189	6175407	SIDE CUSHION, LARGE, CURVED	PCS	2	5707292389237
196+198	5001009	SCREWS ETC. FOR SIDE SUPPORTS	PCS	1	5707292154330
199	880199	LEG SUPPORT STRAP	PCS	1	5707292496942