

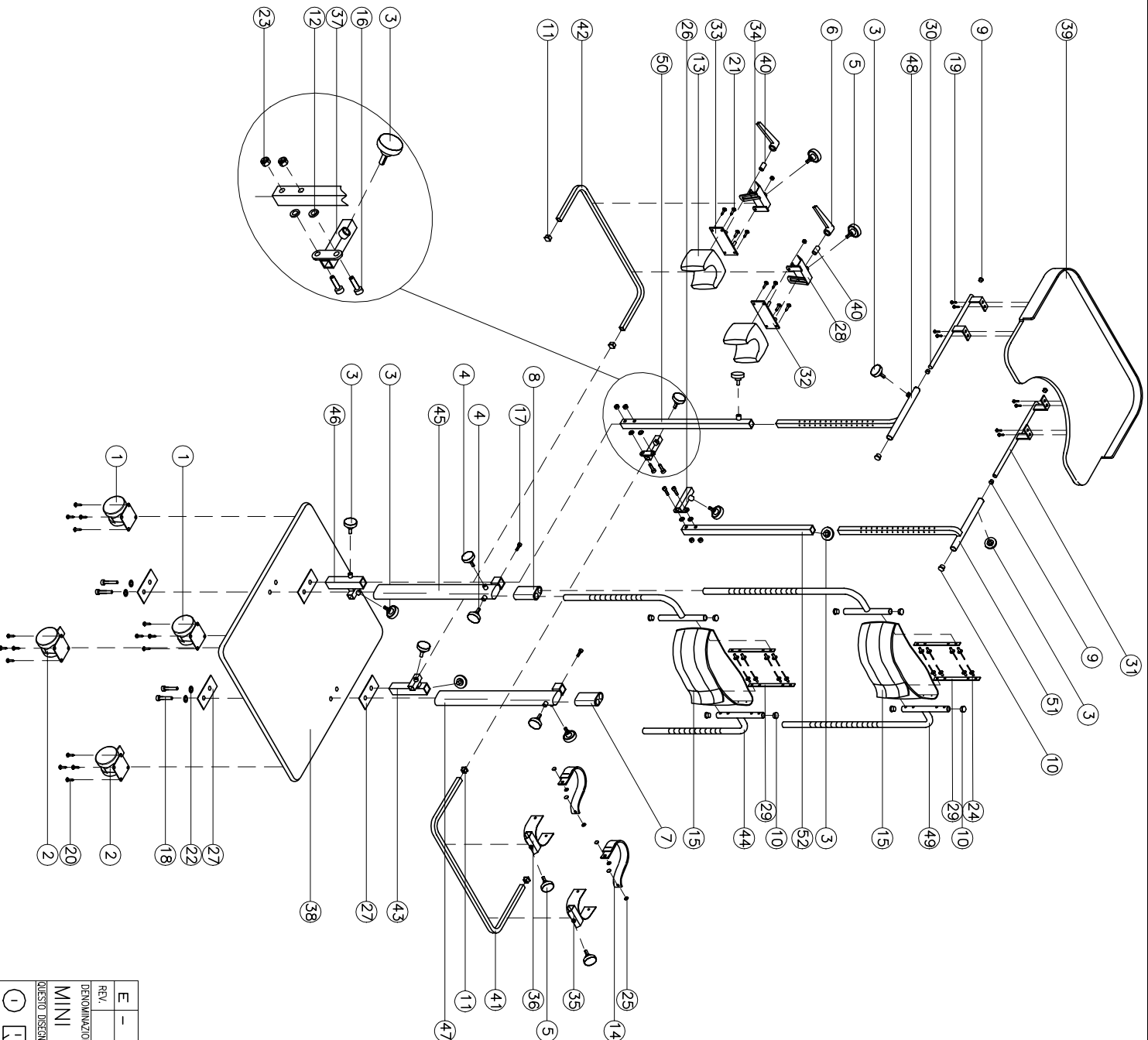
Standy et Mini Standy

Vues éclatées - Pièces détachées



LIST OF MATERIALS

POS.	ARTICLE NUMBER	DESCRIPTION	DESIGN	QUANTITY
1	12072	TWIN WHEEL 75x60	-	2
2	12071	TWIN WHEEL 75x60 WITH BRAKE	-	2
3	14051	HANDWHEEL M8x15	-	10
4	14054	HANDWHEEL M10x25	-	4
5	14057	HANDWHEEL M8x25	-	4
6	14060	BLACK PICK-UP HANDLE MRX.63 B-M8	-	2
7	16034	NYLON RGT DIRECTION 27.2X57.2X80 Ø21	-	1
8	16054	NYLON LFT DIRECTION 27.2X57.2X80 Ø21	-	1
9	16097	BLACK RUBBER TOP COVERHEAD Ø14	-	4
10	16100	BLACK RUBBER TOP COVERHEAD Ø20	-	10
11	16110	BLACK RUBBER TOP COVERHEAD 15x15	-	4
12	16200	NYLON WASHER Ø18x2 Ø6.525	-	4
13	17528	PADDED KNEE BLOCK MINISTANDY-2/400-3	-	2
14	17101	BLACK FOOTSTRAP 827-2	-	2
15	17577	BAND MINISTANDY-2/400-1-2	-	2
16	20007	SCREW 6x40 ISO 7380 10.9	-	4
17	20385	SCREW 8x16	-	2
18	20026	SCREW 8x40 UNI 5931 8.8	-	4
19	20200	SCREW 4.3x12.7 DIN7981	-	8
20	20201	SCREW 4.8x16 KF 10X5/8	-	16
21	20202	SCREW4.5x19 DIN 7981	-	8
22	20255	FLAT WASHER 8x24x2	-	4
23	20297	AUTOBLOCKING NUT M6 UNI 7473 A	-	4
24	20504	RIVET IN ALUMINIUM 4.9x16	-	16
25	20520	IRON RIVET M/F D.11	-	4
26	28284-A	RGT FRAME HEELREST BLOCK MINI-ST.	-	4
27	28294	PLATE 40X3X100 BASE MINI-ST.	-	4
28	28295-A	RGT KNEE BLOCK CONNECTION MINI-ST.97	-	1
29	28298	FIXING STRAP PLATE MINISTANDY	-	4
30	28628	LFT TRAY BAR MM400 MINI-ST./205	-	1
31	28629	RGT TRAY BAR MM400 MINI-ST./205	-	1
32	28673-A	RGT PLATE 40X3X90 KNEE BLOCK CONNECTION	-	1
33	28690-A	LFT PLATE 40X3X90 KNEE BLOCK CONNECTION	-	1
34	28695-A	LFT KNEE BLOCK CONNECTION MINI-ST.97	-	1
35	28709-A	RGT HEELREST MINI-STANDY-2	-	1
36	28710-A	LFT HEELREST MINI-STANDY-2	-	1
37	28716-A	LFT FRAME HEELREST BLOCK MINI-ST.	-	1
38	29070	FOOTREST MINISTANDY-2	-	1
39	29110	PLANE TRAY 824 FOR MINISTANDY-2/73	-	1
40	282582	BUSH 12X13 KNEE BLOCK CONNECTION	-	2
41	282906	SUPPORT HEELREST BAR MINIS-2-97	-	1
42	282907	SUPPORT KNEE BLOCK BAR MINIS.2	-	1
43	282912-A	RGT KNEE BLOCK BAR ADJUSTMENT MINISTAN.	-	1
44	282913	PELVIC SUPPORT FRAME MINIS.2-97	-	2
45	282918-A	LFT VERTICAL SIDE MINISTAND.2.97	-	1
46	282920-A	LFT KNEE BLOCK ADJUSTMENT BAR MINISTAN.	-	1
47	282921-A	RGT VERTICAL SIDE MINISTAND.2.97	-	1
48	282968	LFT ADJUSTMENT TRAY FRAME 97	-	1
49	282969	AXELLARY SUPPORT FRAME 2-97	-	1
50	282970	LFT VERTICAL TRAY FRAME DIRECTION MINIS.2	-	2
51	282972	RGT ADJUSTMENT TRAY FRAME MINIST.2	-	1
52	282973	RGT VERTICAL TRAY FRAME DIRECTION MINIS.2	-	1

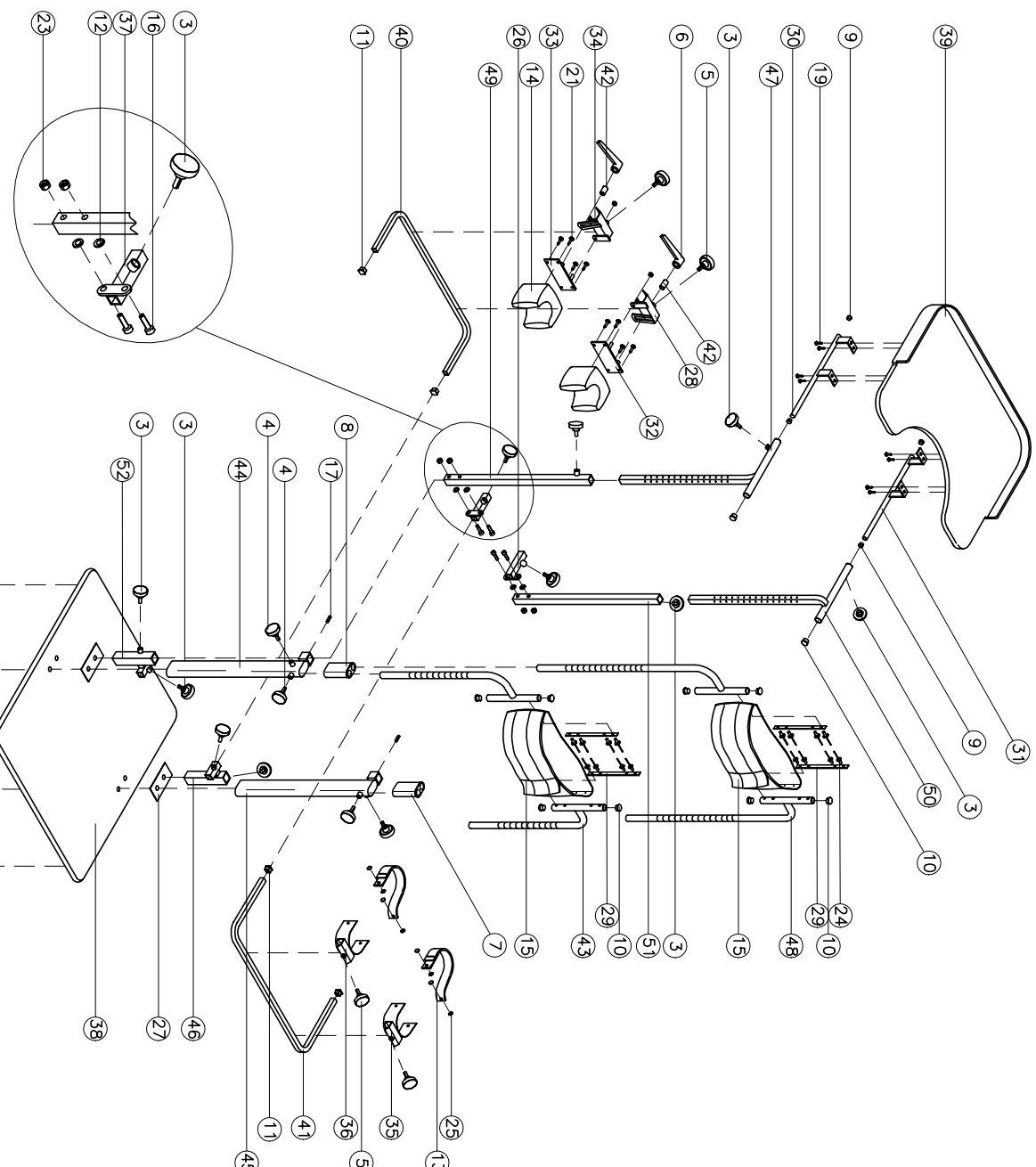


E -	DESCRIZIONE	AKARAU	14/05/07
REV.			

DENOMINAZIONE	MINI STANDY-2	CODICE	106005.A	DISGNO N.	EO29001
---------------	---------------	--------	----------	-----------	---------

QUESTO DISGNO È DI PROPRIETÀ GRUPOSA. È VIETATO RIPRODURRE, MODIFICARE O COMUNICARE A TERZI IL CONTENUTO
 Via A.Da. Sangallo 1 Pocianna 06034 FOLIGNO (PG) ITALY
 Tel. +39 0742 22927 (r.o.) Fax +39 0742 22637

LIST OF MATERIALS



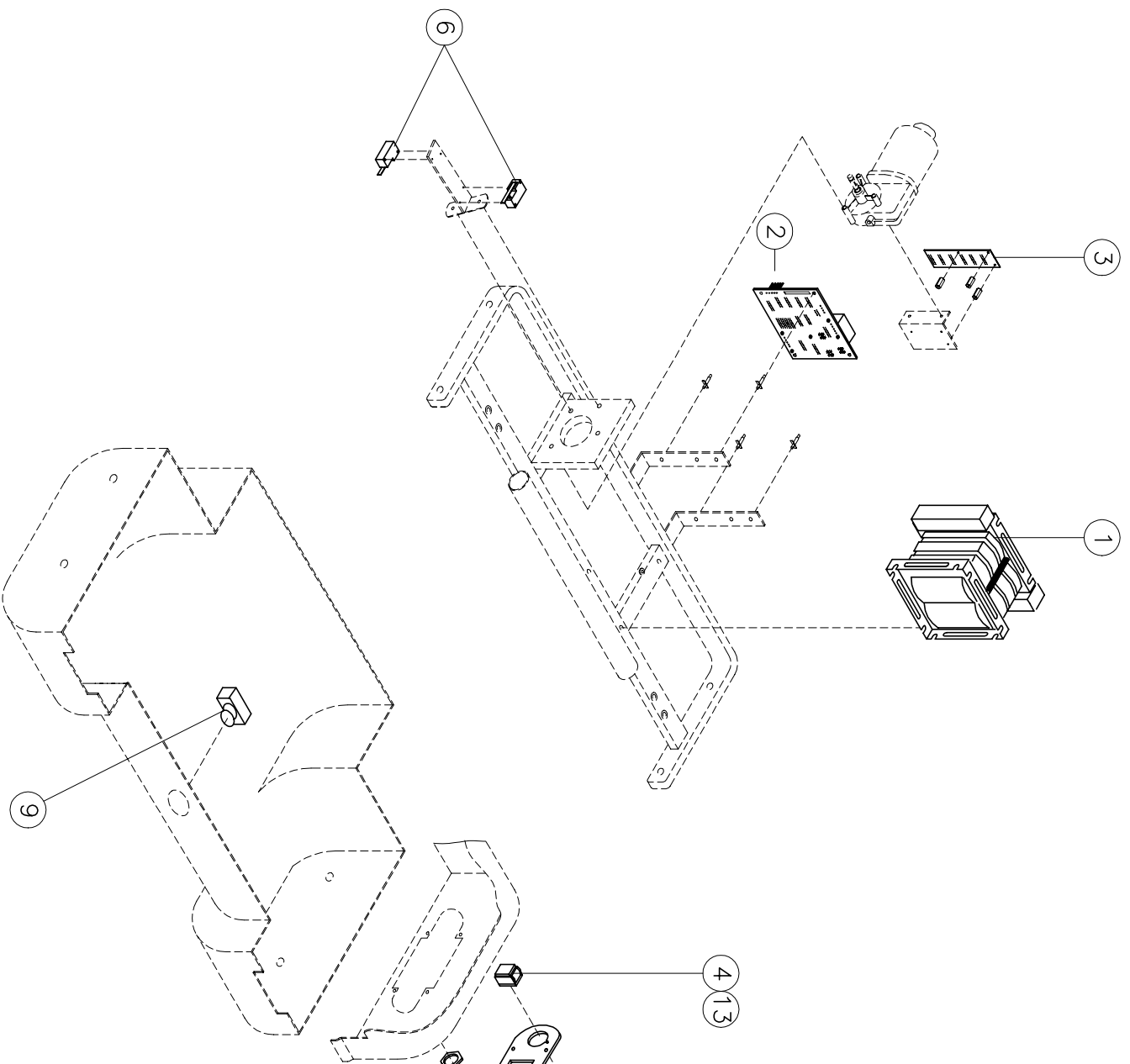
POS. NUMBER	ARTICLE NUMBER	DESCRIPTION	DESIGN	QUANTITY
1	12072	TWIN WHEEL 75x60	-	2
2	12071	TWIN WHEEL 75x60 WITH BRAKE	-	2
3	14051	HANDWHEEL M8x15	-	10
4	14054	HANDWHEEL M10x25	-	4
5	14057	HANDWHEEL M8x25	-	4
6	14060	BLACK PICK-UP HANDLE MRX.63 B-M8	-	2
7	16034	NYLON RGT DIRECTION 27.2X57.2X80 Ø21	-	1
8	16054	NYLON LFT DIRECTION 27.2X57.2X80 Ø21	-	1
9	16097	BLACK RUBBER TOP COVERHEAD Ø14	-	4
10	16100	BLACK RUBBER TOP COVERHEAD Ø20	-	10
11	16110	BLACK RUBBER TOP COVERHEAD 15x15	-	4
12	16200	NYLON WASHER Ø18x2 Ø6.25	-	4
13	17102	BLACK FOOTSTRAP 827-3	-	2
14	17527	PADDED KNEE BLOCK MINISTANDY-3	-	2
15	17578	BAND MINISTANDY-3	-	2
16	20007	SCREW 6x40 ISO 7380 10.9	-	4
17	20385	SCREW 8x16	-	2
18	20026	SCREW 8x40 UNI 5931 8.8	-	4
19	20200	SCREW 4.3x12.7 DIN7981	-	8
20	20201	SCREW 4.8x16 KF 10X5/8	-	16
21	20202	SCREW4.5x19 DIN 7981	-	8
22	20255	FLAT WASHER 8x24x2	-	2
23	20297	AUTOBLOCKING NUT M6 UNI 7473 A	-	4
24	20504	RIVET IN ALUMINIUM 4.9x16	-	16
25	20520	IRON RIVET M/F D.11	-	4
26	28284-A	RGT FRAME HEELREST BLOCK MINI-ST.	-	1
27	28294	PLATE 40X3X100 BASE MINI-ST.	-	4
28	28295-A	RGT KNEE BLOCK CONNECTION MINI-ST.97	-	1
29	28298	FIXING STRAP PLATE MINISTANDY	-	4
30	28628	LFT TRAY BAR MM400 MINI-ST./205	-	1
31	28629	RGT TRAY BAR MM400 MINI-ST./205	-	1
32	28673-A	RGT PLATE 40X3X90 KNEE BLOCK CONNECTION	-	1
33	28690-A	LFT PLATE 40X3X90 KNEE BLOCK CONNECTION	-	1
34	28695-A	LFT KNEE BLOCK CONNECTION MINI-ST.97	-	1
35	28804-A	RGT HEELREST MINI-STANDY-3	-	1
36	28849-A	LFT HEELREST MINI-STANDY-3	-	1
37	28716-A	LFT FRAME HEELREST BLOCK MINI-ST.	-	1
38	29077	FOOTREST MINISTANDY-3	-	1
39	29110	PLANE TRAY 824 FOR MINISTANDY-2/3	-	1
40	281182	SUPPORT KNEE BLOCK BAR MINIS.3	-	1
41	281187	SUPPORT HEELREST BAR MINIS.2-97	-	1
42	282582	BUSH 12X13 KNEE BLOCK CONNECTION	-	2
43	282908	PELVIC SUPPORT FRAME MINIS.3 97	-	2
44	282909-A	LFT VERTICAL SIDE MINISTAND.3 97	-	1
45	282911-A	RGT VERTICAL SIDE MINISTAND.3 97	-	1
46	282912-A	RGT KNEE BLOCK BAR ADJUSTMENT MINISTAN.	-	1
47	282914	LFT ADJUSTMENT TRAY FRAME MINIS.3	-	1
48	282915	AXELLARY SUPPORT FRAME 3-97	-	2
49	282916	LFT VERTICAL TRAY FRAME DIRECTION MINIS.3	-	1
50	282917	RGT ADJUSTMENT TRAY FRAME MINIS.3	-	1
51	282919	RGT VERTICAL TRAY FRAME DIRECTION MINIS.3	-	1
52	282920-A	LFT KNEE BLOCK ADJUSTMENT BAR MINISTAN.	-	1

E	DESCRIZIONE	AKARAJ	14/05/07
REV.	DISIGNATO DA	COGNOME	DATA
DENOMINAZIONE		106006.A	DESIGNO N.
MINI STANDY-3		EO29002	DATA
QUESTO DISGNO È DI PROPRIETÀ GRAFICA. È VIETATO RIPRODURRE, MODIFICARE O COMUNICARE A TERZI IL CONTENUTO.			
Via A.Da. Sangallo 1 Pociana 06034 FOLIGNO (PG) ITALY		M0903-06 REV.0	
Tel. +39 0742 22927 (r.o.) Fax +39 0742 22637			



LIST OF MATERIALS

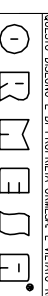
POS. NUMBER	ARTICLE NUMBER	DESCRIPTION
1	18001	TRANSFORMER GROUPS 330VA
2	18010	BOARD FOR ELECTRONIC CONTROL
3	18011	BOARD FOR ELECTRO STANDY POWER
4	18017	RED EMERGENCY BUTTON
5	18019	7 POLE TAP
6	18025	MICROSWITCH WITH LEVER AH71523
7	18026	FUSE 5X20 5A
8	18028	PLUG, FUSEBLOCK SWITCH FOR PANEL
9	18033	EMERGENCY BUTTON CONTACT (N/C)
12	22397	SCREEN PRINTED PANEL OF ELECTRO SET CONTROL
13	18061	CONNECTION ELEMENTS



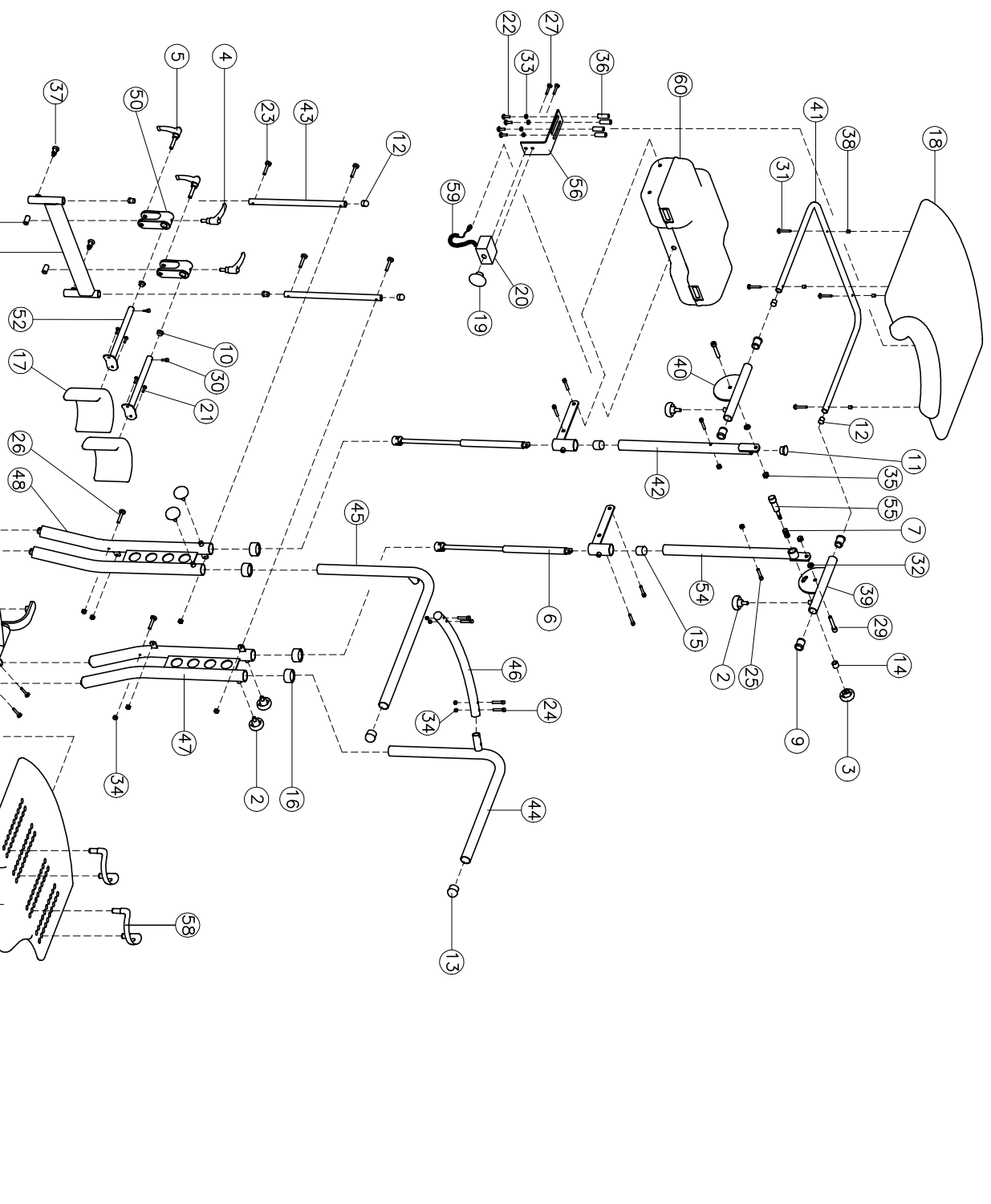
REV.	DESCRIZIONE	DISIGNATO DA	DATA
D	-	AKARAJ	19/12/06
C	-	AKARAJ	13/02/06
A	-	AKARAJ	10/10/99

DENOMINAZIONE: ELECTRONIC SET ASSEMBLY STANDY
 CODICE: 30317
 DISIGNO N.: E040008

QUESTO DISEGNO E' DI PROPRIETA' ORIGINARIA E VIETATO RIPRODURRE, MODIFICARE O COMUNICARNE A TERZI IL CONTENUTO
 M0903-06 REV. 0
 Via A.Da Sangallo 1 Pocianna 06034 FOLLIGNO (PG) ITALY
 Tel: +39 0742 22927 (r.o.) Fax +39 0742 22637



LIST OF MATERIALS

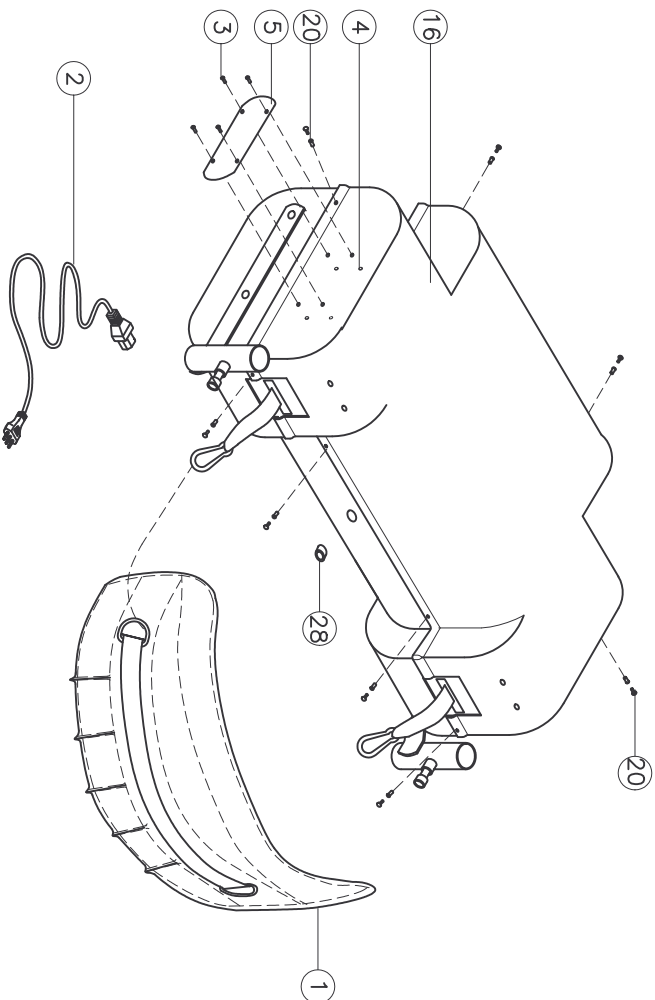


Pos.	ARTICLE NUMBER	DESCRIPTION
1	12067	TWIN WHEEL D/75X60 M 10X15
2	14050	KNOB M10X20
3	14052	KNOB WITH BRASS BUSH M10
4	14112	HANDLE ERX-78-P M10X25 C1
5	14115	HANDLE ERX-78-P M10X50 C1
6	300290	KIT GAS SPRING FOR STANDY WING
7	15054	SPRING D23X23 D1.5 WING ZNC
8	16017	BLACK BUMPER 90° HOLE 22
9	16028	ORZONTAL PLASTIC DRIVER
10	16100	BLACK RUBBER TOP COVERHEAD D. 20
11	16126	BLACK RUBBER TOP COVERHEAD D. 35
12	16223	BALL HEAD PUSH-ROD D20
13	16247	BALL HEAD PUSH-ROD D35
14	16744	BLACK PVC WASHER 25X20 F.10.5
15	16806	NYLON BUSH FOR WING
16	16911	PVC BUSH D46X18 STANDY WING SIDE
17	17099	PADDED KNEE BLOCK
18	17754	TABLE FOR STANDY WING
19	18021	EMERGENCY BUTTON D70
20	18040	SMALL BOX
21	20002	SCREW 6x16 ISO 7380 10.9
22	20003	SCREW 6x20 ISO 7380 10.9
23	20005	SCREW 6x30 ISO 7380 10.9
24	20006	SCREW 6x35 ISO 7380 10.9
25	20007	SCREW 6x40 ISO 7380 10.9
26	20008	SCREW 6x45 ISO 7380 10.9
27	20010	SCREW 6x12 ISO7380 10.9
28	20044	SCREW 6x30 UNI 5931 8.8
29	20082	SCREW 10x30 UNI 5931 8.8
30	20202	SCREW FIX 4.5x19 DIN 7981
31	20205	SCREW 4.5x40 DIN 7981
32	20242	WASHER 10.5x21x2 M10 UNI 6592
33	20252	WASHER 6.6x18x1.5 M6 UNI 6593
34	20287	SELF-LOCKING NUT M6 UNI 7474 B
35	20299	SELF-LOCKING NUT M10 UNI 7473 A ZNC
36	20531	THREADING INSERT M6 PER LEGNO
37	21628	SPRING LOCK M12X1
38	28054	BUSH 10X6.5 F.6.1
39	285101	RGT FRAME FOR TABLE TILT ADJUST.
40	285102	LFT FRAME FOR TABLE TILT ADJUST
41	285103	TABLE FRAME STANDY ELWING
42	285104	LEFT VERTICAL BAR FOR TABLE HEIGHT ADJUST.
43	285105	VERTICAL BAR FOR KNEE BLOCK ADJUSTM.
44	285106	RGT HANDEST FRAME ST.WING
45	285107	LFT HANDEST FRAME ST WING
46	285108	CONNECTION FOR HANDEST FRAME
47	285109	SIDE RGT FRAME
48	285110	SIDE LFT FRAME
49	285111	BASE FRAME
50	285113	ALUMINIUM SUPPORT FOR KNEE BLOCK
51	285114	BUSH 18X28
52	285115	KNEE BLOCK BAR
53	285116	KNEE BLOCK ADJUSTMENT FRAME
54	285140	RGT VERTICAL BAR FOR TABLE HEIGHT ADJUST.
55	285141	PIN FOR TABLE TILT
56	285143	BRACKET TO FIX BUTTON PANEL
57	29203	WOODEN FOOTBOARD
58	300273	COMPLETE HEELREST
59	30357	EXTENSIBLE CABLE
60	106043	ELECTRO SET BOX

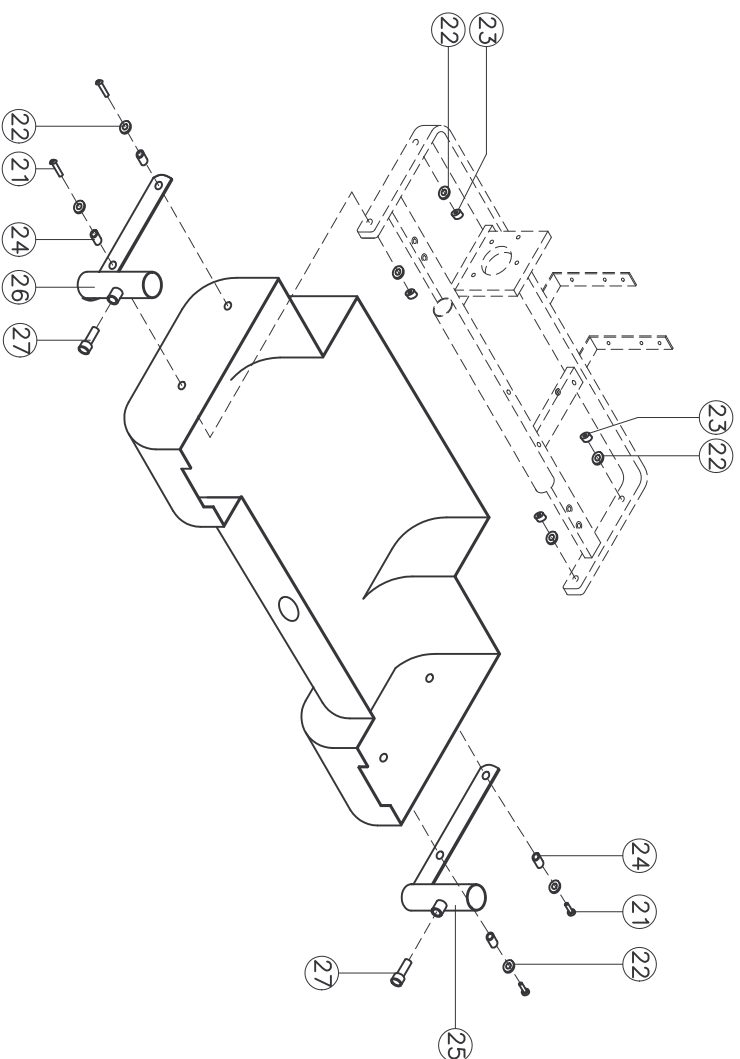
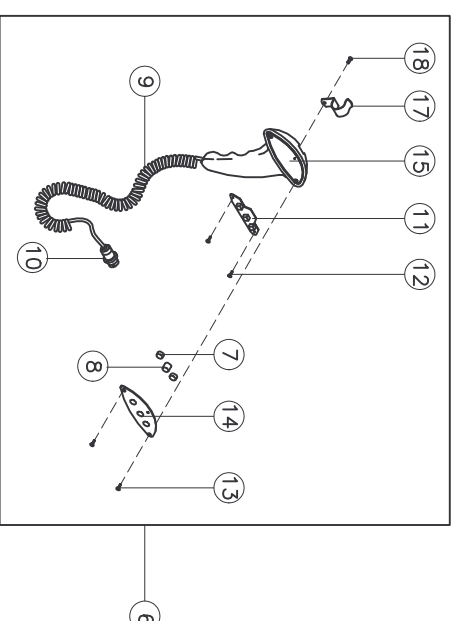
B	-	AKARAJ	13/02/06
REV.		DISIGNATO DA	DATA
DENOMINAZIONE		DESCRIZIONE	
STANDY ELECTRO WING		106073	
CODICE		DISIGNO N.	
E040009		M0903-06 REV.0	
QUESTO DISIGNO E' DI PROPRIETA' GIURISCA. E' VIETATO RIPRODURRERE, MODIFICARE O COMUNICARNE A TERZI IL CONTENUTO			
Via A.Da Sangallo 1 Pocianna 06034 FOLLIGNO (PG) ITALY			
Tel. +39 0742 22927 (r.a.) Fax +39 0742 22637			

LIST OF MATERIALS

POS.	ARTICLE NUMBER	DESCRIPTION	DESIGN
1	17862	LIFTING BAND FOR STANDY ELECTRO	
2	18013	TRIPOLE FUEL CABLE	
3	20449	SCREW M.3X12 UNI 7687	
4	20618	AUTOBLOCKING NUT M3 UNI 7473 A	
5	22281	"CE" PLATE STANDY ELECTRO	
16	30337	ELECTRONIC SET 1ST ASSEMBLY	
20	16723	SPRING RIVET FROM BLACK NYLON	
21	20051	BLACK SCREW 6x25 ISO7380 10.9	
22	20074	BLACK WASHER 6,6x18x1,5 UNI6593	
23	20287	AUTOBLOCKING NUT M6 UNI 7474 B	
24	28064	BUSH 10x15 Ø 6,1	
25	285139	ELECTRO SET RGT SUPPORT	
26	285138	ELECTRO SET LFT SUPPORT	
27	20021	SCREW 8x16 UNI 5931 8.8	
28	18037	2 POLE PLUG	

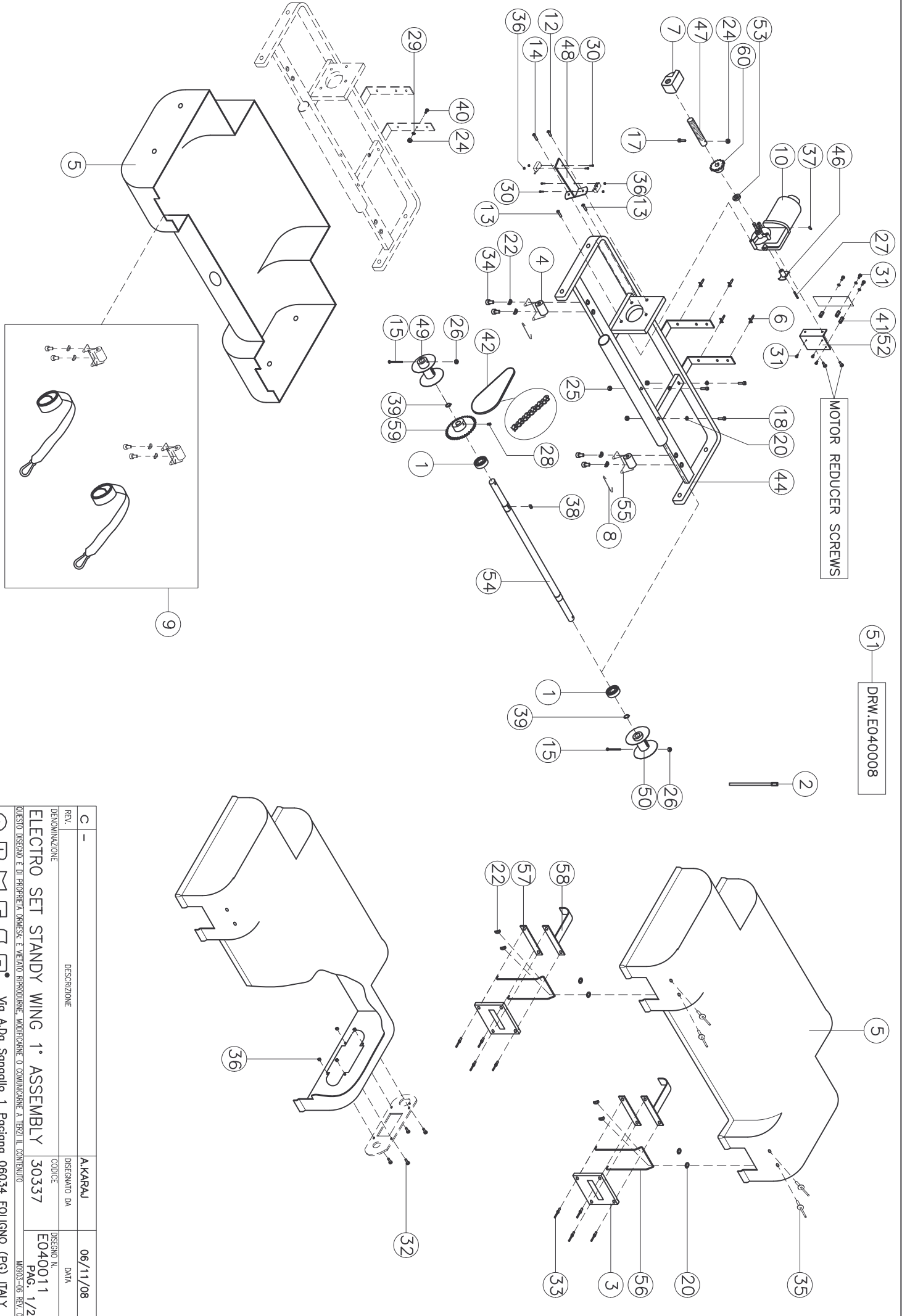


6	30315	COMPLETE EMERGENCY ST. EL.PUSH BUTTON PANEL	
7	16689	PVC STANDY ELECTRO BUTTON D.13X7,5	
8	16690	PVC STANDY ELECTRO BUTTON D13 X 7	
9	18014	7 POLE EXTENSIBLE CABLE	
10	18018	7 POLE PLUG	
11	18062	EMERGENCY PUSH BUTTON	
12	20379	SCREW 2,9x9,5 DIN 7981	
13	20566	SCREW 2,2x9,5 UNI 6952	
14	22423	SCREEN PRINTED OF EMERGENCY PUSH BUTTON	
15	28743	ST. EL. EMERGENCY PUSH BUTTON HANDLE	
17	284176	PUSH BUTTON HOOK	
18	20284	SCREW 4X10	



B -	DESCRIZIONE	AKARAU	23/07/08
REV. 1	DISGIANO DA	DATA	
DENOMINAZIONE			
ELECTRO SET STANDY WING		CODICE	DISGIANO N.
		106043	E040010
QUESTO DISGIANO È DI PROPRIETÀ OMNISCAP E VIETATO RIPRODURRE, MODIFICARNE O COMUNICARNE A TERZI IL CONTENUTO			
Via A.Da Sangallo 1 Paciana 06034 FOLLIGNO (PG) ITALY		MARGO-06 REV. 0	
Tel.+39 0742 22927 (r.a.) Fax +39 0742 22637			





C	-	AKARAU	06/11/08
REV.		DESCRIZIONE	DATA
DENOMINAZIONE		DISegnato DA	CODICE
ELECTRO SET STANdY WING 1° ASSEMBLY		50337	DESIGNO N.
			E040011
			PAG. 1/2
QUESTO DISegNO È DI PROPRIETÀ D'AMBAE E VIETATO RIPRODURRE, MODIFICARE O COMUNDICARE A TERZI IL CONTENUTO			
M803-06 REV. 0			
Via A.Da. Sarnòdla 1 Pacifano 06034 FOLLIGNO (PG) ITALY			
Tel.+39 0742 22927 (r.a.) Fax +39 0742 22637			



LIST OF MATERIALS

POS.	ARTICLE NUMBER	DESCRIPTION	DESIGN
1	13015	BEARING 6203-2RS1 D.17	
2	16016	PLASTIC LITTLE BAND	
3	16506	PANEL BELT ELECTRO SET	
4	16509	DIRECTION ELECTRO SET BELT BUSH	
5	16713	PLASTIC BOX ELECTRO SET 99	
6	16722	PVC SUPPORT MM 12,7	
7	16993	PVC DIRECTION BLOCK	
8	262173	SPRING TIE BAR	
9	300766	SET PULLING STRAPS ELECTRO STANDY	
10	18002	SPEED REDUCER SWF 403939	
12	20002	SCREW 6x16 ISO 7380 10.9	
13	20004	SCREW 6x25 ISO 7380 10.9	
14	20005	SCREW 6x30 ISO 7380 10.9	
15	20007	SCREW 6x40 ISO 7380 10.9	
17	20062	SCREW 4x20 UNI 5931 8.8	
18	20067	SCREW 5x16 UNI 5931 8.8	
20	20250	WASHER 5.5x15x1.6 M5 UNI 6593	
22	20264	WASHER 5.5x15x1.6	
24	20295	AUTOBLOCKING NUT M4 UNI 7473 A	
25	20286	AUTOBLOCKING NUT M5 UNI 7474 B	
26	20297	AUTOBLOCKING NUT M6 UNI 7473 A	
27	20340	ELASTIC PLUG 3x30 UNI 6873	
28	20349	GRAIN WITH POINT M8x10 UNI 5927	
29	20380	WASHER M4 UNI 8842	
30	20447	SCREW M.3X20 UNI 7687	
31	20448	SCREW M.3X8 ZINC.	
32	20449	SCREW M.3X12 UNI 7687	

LIST OF MATERIALS

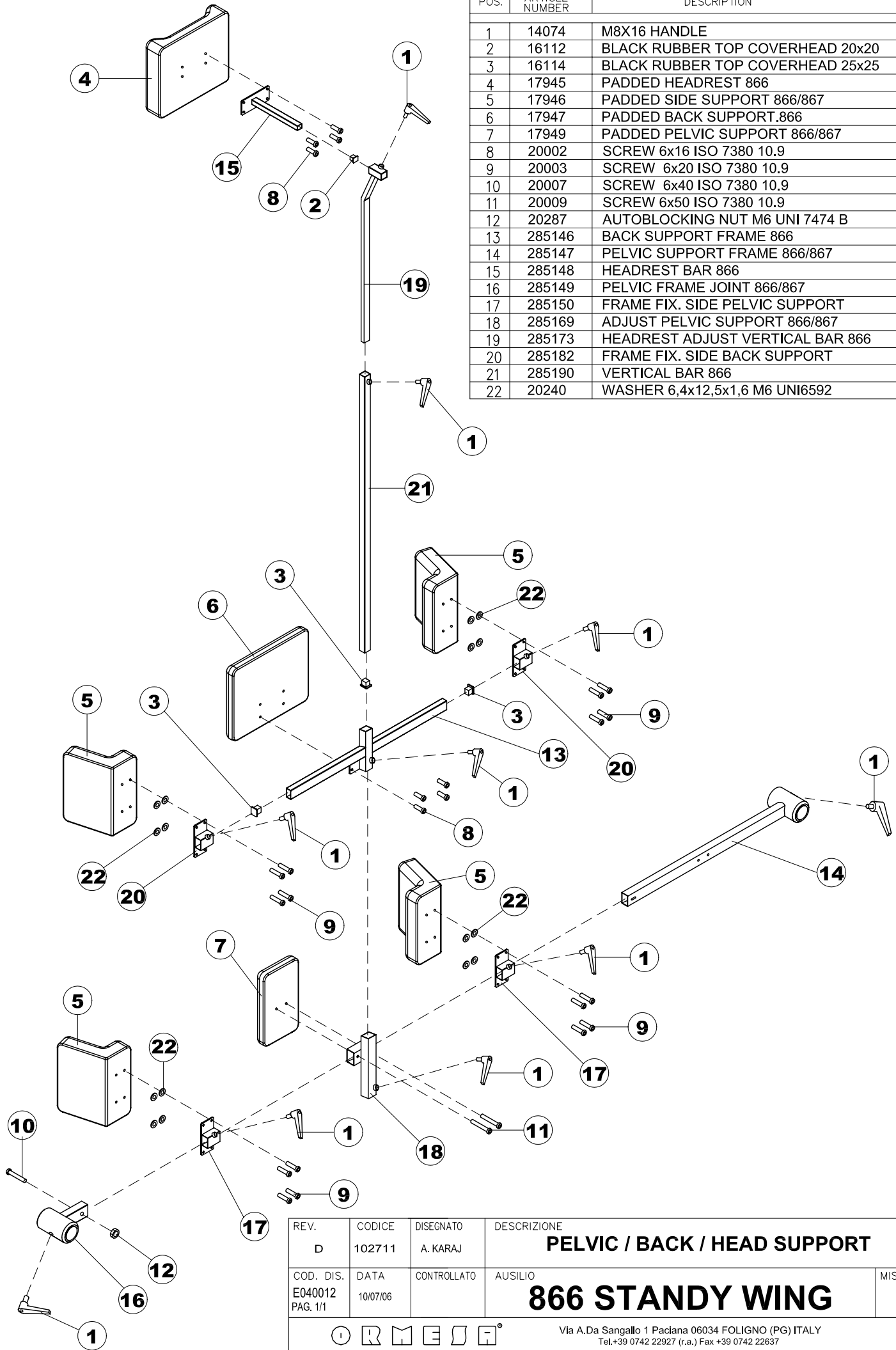
POS.	ARTICLE NUMBER	DESCRIPTION	DESIGN
33	20511	ALUMINIUM RIVET 4X12	
34	20040	SCREW 6X10	
35	20512	ALUMINIUM RIVET 4.8X25	
36	20618	AUTOBLOCKING NUT M3 UNI 7473 A	
37	20622	AMERICAN TONGUE 3X3.7 UNI 6606	
38	20624	JOINT TONGUE 5X5X18 UNI 6604A	
39	20633	BLOCK SHAFT RING D.17 UNI 7435	
40	20634	SCREW 4x12 UNI 5739 8.8	
41	20638	METALLIC SPACER DA C.S.M3X12	
42	21419	STEP 8 CHAIN	
44	27848	SUPPORT FRAME OF ELECTRO SET BOX	
46	28526	BUTTERFLY PHOTOSENSOR	
47	28678	TRAPEZIUM SHAPED SCREW D.14X80	
48	28768	SLIDER DRIVER PLATE	
49	28787	LFT WINDING BELT ROLL	
50	28788	RGT WINDING BELT ROLL	
51	30317	ELECTRO SET PART ASSEMBLING	
52	262063	ELECTRO STANDY FIXING POWER BOARD PLATE	
53	262064	SPACER D.18X4 Ø 10.1 PINION	
54	262089	PULLING AXLE STANDY EL.	
55	262100	ELECTRO SET BACK ROLLING BELT SPRING	
56	262148	ELECTRO SET 99 PANEL SPRING	
57	282102	ELECTRO SET BELT PLATE	
58	282149	ELECTRO SET BELT DRIVER	
59	282213	PINION Z 36	
60	282214	PINION Z 12	

REV.	DESCRIZIONE	AKKARAJ	06/11/08
C	-		

DENOMINAZIONE	DESCRIZIONE	CODICE	DESIGNO N.
ELECTRO SET STANDY WING 1° ASSEMBLY		30337	E040011

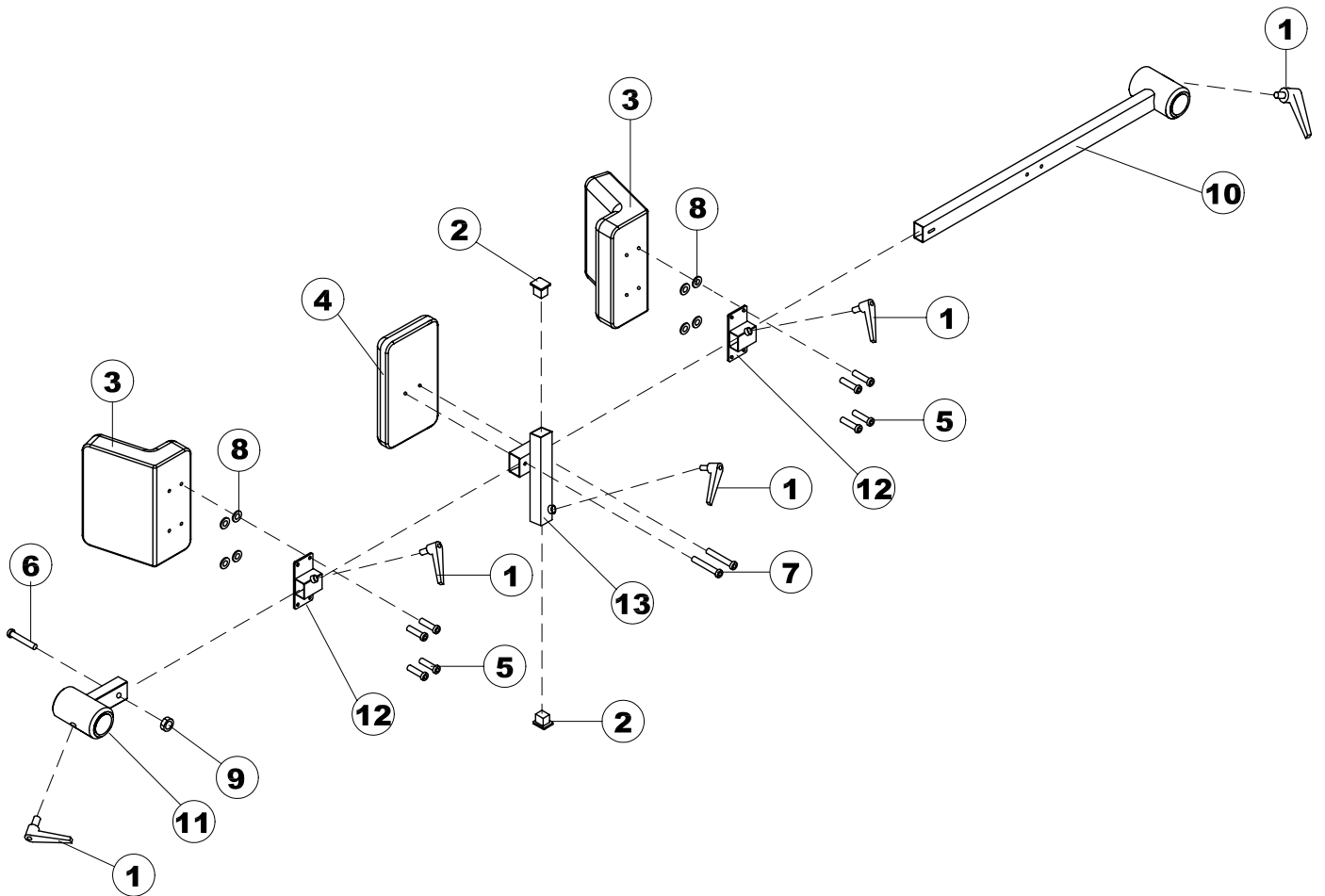
QUESTO DESIGNO E' DI PROPRIETA' D'IMPRESA E VIETATO RIPRODURRE, MODIFICARE O COMUNICARNE A TERZI IL CONTENUTO

POS.	ARTICLE NUMBER	DESCRIPTION
1	14074	M8X16 HANDLE
2	16112	BLACK RUBBER TOP COVERHEAD 20x20
3	16114	BLACK RUBBER TOP COVERHEAD 25x25
4	17945	PADDED HEADREST 866
5	17946	PADDED SIDE SUPPORT 866/867
6	17947	PADDED BACK SUPPORT.866
7	17949	PADDED PELVIC SUPPORT 866/867
8	20002	SCREW 6x16 ISO 7380 10.9
9	20003	SCREW 6x20 ISO 7380 10.9
10	20007	SCREW 6x40 ISO 7380 10.9
11	20009	SCREW 6x50 ISO 7380 10.9
12	20287	AUTOBLOCKING NUT M6 UNI 7474 B
13	285146	BACK SUPPORT FRAME 866
14	285147	PELVIC SUPPORT FRAME 866/867
15	285148	HEADREST BAR 866
16	285149	PELVIC FRAME JOINT 866/867
17	285150	FRAME FIX. SIDE PELVIC SUPPORT
18	285169	ADJUST PELVIC SUPPORT 866/867
19	285173	HEADREST ADJUST VERTICAL BAR 866
20	285182	FRAME FIX. SIDE BACK SUPPORT
21	285190	VERTICAL BAR 866
22	20240	WASHER 6,4x12,5x1,6 M6 UNI6592



REV. D	CODICE 102711	DISEGNATO A. KARAJ	DESCRIZIONE PELVIC / BACK / HEAD SUPPORT	
COD. DIS. E040012 PAG. 1/1	DATA 10/07/06	CONTROLLATO	AUSILIO 866 STANDBY WING	MIS. -
			Via A.Da Sangallo 1 Paciana 06034 FOLIGNO (PG) ITALY Tel.+39 0742 22927 (r.a.) Fax +39 0742 22637	
QUESTO DISEGNO È DI PROPRIETÀ ORMESA: È VIETATO RIPRODURNE, MODIFICARNE O COMUNICARNE A TERZI IL CONTENUTO				

POS.	ARTICLE NUMBER	DESCRIPTION
1	14074	M8X16 HANDLE
2	16115	BLACK RUBBER TOP COVERHEAD 30X30
3	17946	PADDED LATERAL SUPPORT 866/867
4	17949	PADDED PELVIC SUPPORT.866/867
5	20003	SCREW 6x20 ISO 7380 10.9
6	20007	SCREW 6x40 ISO 7380 10.9
7	20009	SCREW 6x50 ISO 7380 10.9
8	20240	WASHER 6,4x12,5x1,6 M6 UNI6592
9	20287	AUTOBLOCKING NUT M6 UNI 7474 B
10	285147	PELVIC SUPPORT FRAME 866/867
11	285149	PELVIC FRAME JOINT 866/867
12	285150	FRAME FIX. SIDE PELVIC SUPPORT
13	285169	ADJUST PELVIC SUPPORT 866/867



REV.	CODICE	DISEGNATO	DESCRIZIONE	MIS.
D	102710	A. KARAJ	PELVIC SUPPORT	
COD. DIS. E040013 PAG. 1/1	DATA 10/07/06	CONTROLLATO	AUSILIO 867 STANDY WING	MIS. -
				
Via A.Da Sangallo 1 Paciana 06034 FOLIGNO (PG) ITALY Tel.+39 0742 22927 (r.a.) Fax +39 0742 22637				
QUESTO DISEGNO È DI PROPRIETÀ ORMESA; È VIETATO RIPRODURNE, MODIFICARNE O COMUNICARNE A TERZI IL CONTENUTO				